



FAG

★ 24128-BE-XL

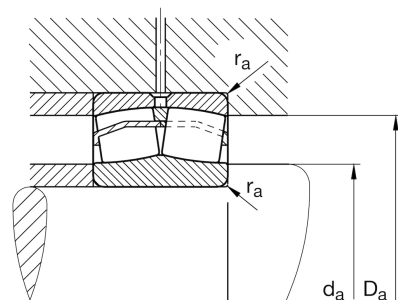
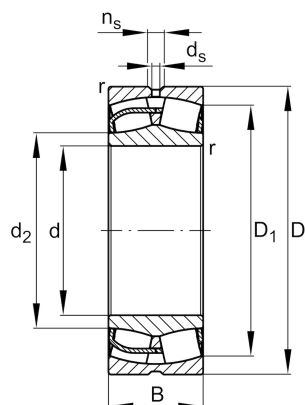
Spherical roller bearing

Schaeffler ID:
0581201810000Spherical roller bearing 241..-BE-XL,
symmetric with rib washer

★ Preferred product

X-life

Technical information



Temperature range

T_{\min}	-30 °C	Operating temperature min.
------------	--------	----------------------------

T_{\max}	200 °C	Operating temperature max.
------------	--------	----------------------------

	12,799 kg	Weight
--	-----------	--------

Main Dimensions & Performance Data

d	140 mm	Bore diameter
D	225 mm	Outside diameter
B	85 mm	Width
C_r	800.000 N	Basic dynamic load rating, radial
C_{0r}	1.190.000 N	Basic static load rating, radial
C_{ur}	127.000 N	Fatigue load limit, radial
n_G	2.650 1/min	Limiting speed
n_{gr}	1.430 1/min	Reference speed

Dimensions

r_{\min}	2,1 mm	Minimum chamfer dimension
D_1	194,4 mm	Bore diameter outer ring
d_2	158,9 mm	Raceway diameter of the inner ring
d_s	4,8 mm	Diameter lubrication hole
n_s	9,5 mm	Width of lubricating groove

Mounting dimensions

$d_{a\min}$	152 mm	Minimum diameter shaft shoulder
$D_{a\max}$	213 mm	Maximum diameter of housing shoulder
$r_{a\max}$	2,1 mm	Maximum recess radius

Additional information

e	0,34	Limiting value of Fa/Fr for the applicability of diff. Values of factors X and Y
Y ₁	1,99	Dynamic axial load factor
Y ₂	2,96	Dynamic axial load factor
Y ₀	1,94	Static axial load factor