

FAG

★ 24134-BE-XL

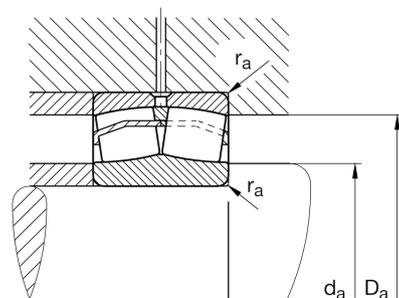
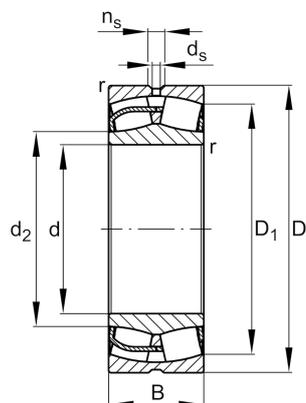
Spherical roller bearing

Schaeffler ID:
0619442890000Spherical roller bearing 241..-BE-XL,
symmetric with rib washer

★ Preferred product

X-life

Technical information



Temperature range

T_{min}	-30 °C	Operating temperature min.
-----------	--------	----------------------------

T_{max}	200 °C	Operating temperature max.
-----------	--------	----------------------------

	26,218 kg	Weight
--	-----------	--------

Main Dimensions & Performance Data

d	170 mm	Bore diameter
D	280 mm	Outside diameter
B	109 mm	Width
C_r	1.260.000 N	Basic dynamic load rating, radial
C_{0r}	1.900.000 N	Basic static load rating, radial
C_{ur}	184.000 N	Fatigue load limit, radial
n_G	2.110 1/min	Limiting speed
n_{gr}	1.060 1/min	Reference speed

Dimensions

r_{min}	2,1 mm	Minimum chamfer dimension
D_1	240 mm	Bore diameter outer ring
d_2	194,1 mm	Raceway diameter of the inner ring
d_s	4,8 mm	Diameter lubrication hole
n_s	9,5 mm	Width of lubricating groove

Mounting dimensions

$d_{a min}$	182 mm	Minimum diameter shaft shoulder
$D_{a max}$	268 mm	Maximum diameter of housing shoulder
$r_{a max}$	2,1 mm	Maximum recess radius

Additional information

e	0,36	Limiting value of Fa/Fr for the applicability of diff. Values of factors X and Y
Y ₁	1,9	Dynamic axial load factor
Y ₂	2,83	Dynamic axial load factor
Y ₀	1,86	Static axial load factor