

FAG

★ 24136-BE-XL

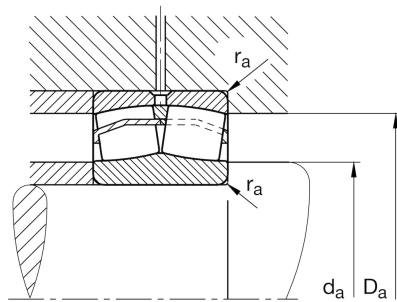
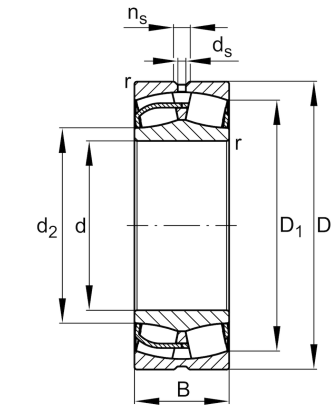
Spherical roller bearing

Schaeffler ID:
0594383040000Spherical roller bearing 241..-BE-XL,
symmetric with rib washer

★ Preferred product

X-life

Technical information



Temperature range

T_{\min}	-30 °C	Operating temperature min.
T_{\max}	200 °C	Operating temperature max.
	32,745 kg	Weight

Main Dimensions & Performance Data

d	180 mm	Bore diameter
D	300 mm	Outside diameter
B	118 mm	Width
C_r	1.460.000 N	Basic dynamic load rating, radial
C_{0r}	2.170.000 N	Basic static load rating, radial
C_{ur}	208.000 N	Fatigue load limit, radial
n_G	2.000 1/min	Limiting speed
n_{gr}	980 1/min	Reference speed

Dimensions

r_{\min}	3 mm	Minimum chamfer dimension
D_1	255,7 mm	Bore diameter outer ring
d_2	204,8 mm	Raceway diameter of the inner ring
d_s	6,3 mm	Diameter lubrication hole
n_s	12,2 mm	Width of lubricating groove

Mounting dimensions

$d_{a\min}$	194 mm	Minimum diameter shaft shoulder
$D_{a\max}$	286 mm	Maximum diameter of housing shoulder
$r_{a\max}$	2,5 mm	Maximum recess radius

Additional information

e	0,36	Limiting value of Fa/Fr for the applicability of diff. Values of factors X and Y
Y ₁	1,86	Dynamic axial load factor
Y ₂	2,77	Dynamic axial load factor
Y ₀	1,82	Static axial load factor