

FAG

★ 24138-BE-XL

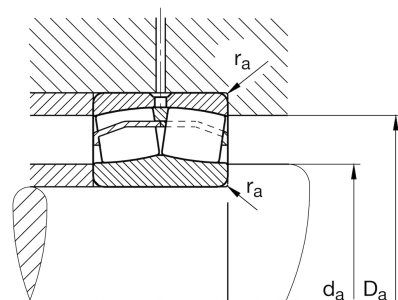
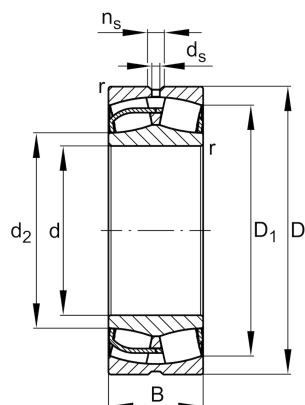
Spherical roller bearing

Schaeffler ID:
0650496160000Spherical roller bearing 241..-BE-XL,
symmetric with rib washer

★ Preferred product

X-life

Technical information



Temperature range

T_{\min}	-30 °C	Operating temperature min.
------------	--------	----------------------------

T_{\max}	200 °C	Operating temperature max.
------------	--------	----------------------------

	41 kg	Weight
--	-------	--------

Main Dimensions & Performance Data

d	190 mm	Bore diameter
D	320 mm	Outside diameter
B	128 mm	Width
C_r	1.680.000 N	Basic dynamic load rating, radial
C_{0r}	2.550.000 N	Basic static load rating, radial
C_{ur}	232.000 N	Fatigue load limit, radial
n_G	1.850 1/min	Limiting speed
n_{gr}	880 1/min	Reference speed

Dimensions

r_{\min}	3 mm	Minimum chamfer dimension
D_1	271,6 mm	Bore diameter outer ring
d_2	217,4 mm	Raceway diameter of the inner ring
d_s	6,3 mm	Diameter lubrication hole
n_s	12,2 mm	Width of lubricating groove

Mounting dimensions

$d_{a\min}$	204 mm	Minimum diameter shaft shoulder
$D_{a\max}$	306 mm	Maximum diameter of housing shoulder
$r_{a\max}$	2,5 mm	Maximum recess radius

Additional information

e	0,37	Limiting value of Fa/Fr for the applicability of diff. Values of factors X and Y
Y ₁	1,82	Dynamic axial load factor
Y ₂	2,7	Dynamic axial load factor
Y ₀	1,78	Static axial load factor