



FAG

★ 24140-BE-XL

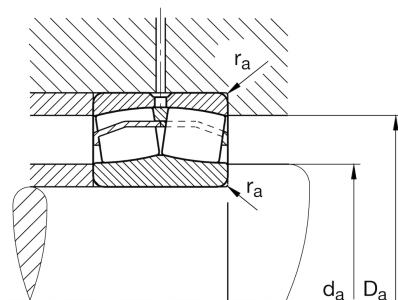
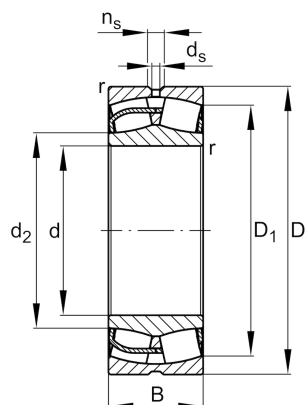
Spherical roller bearing

Schaeffler ID:
0661019640000Spherical roller bearing 241..-BE-XL,
symmetric with rib washer

★ Preferred product

X-life

Technical information



Temperature range

T_{min}	-30 °C	Operating temperature min.
-----------	--------	----------------------------

T_{max}	200 °C	Operating temperature max.
-----------	--------	----------------------------

	50,67 kg	Weight
--	----------	--------

Main Dimensions & Performance Data

d	200 mm	Bore diameter
D	340 mm	Outside diameter
B	140 mm	Width
C_r	1.880.000 N	Basic dynamic load rating, radial
C_{0r}	2.800.000 N	Basic static load rating, radial
C_{ur}	260.000 N	Fatigue load limit, radial
n_G	1.780 1/min	Limiting speed
n_{gr}	840 1/min	Reference speed

Dimensions

r_{min}	3 mm	Minimum chamfer dimension
D_1	287,9 mm	Bore diameter outer ring
d_2	227,1 mm	Raceway diameter of the inner ring
d_s	6,3 mm	Diameter lubrication hole
n_s	12,2 mm	Width of lubricating groove

Mounting dimensions

$d_{a min}$	214 mm	Minimum diameter shaft shoulder
$D_{a max}$	326 mm	Maximum diameter of housing shoulder
$r_{a max}$	2,5 mm	Maximum recess radius

Additional information

e	0,39	Limiting value of Fa/Fr for the applicability of diff. Values of factors X and Y
Y ₁	1,71	Dynamic axial load factor
Y ₂	2,54	Dynamic axial load factor
Y ₀	1,67	Static axial load factor