



FAG

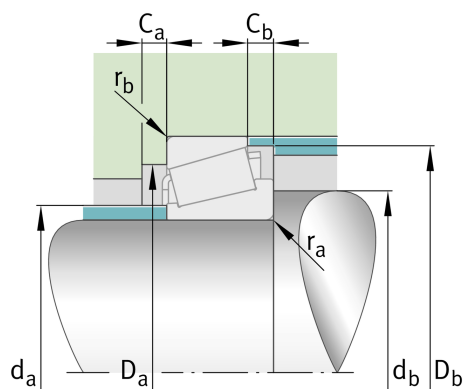
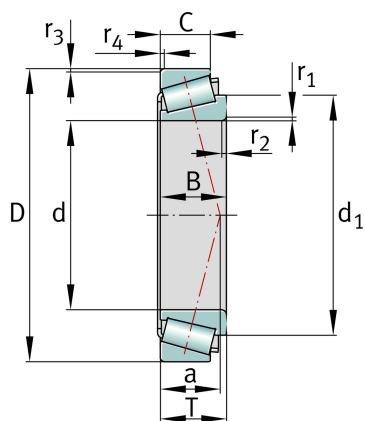
30202-XL

Tapered roller bearing

Schaeffler ID:
0783206740000Tapered roller bearings 302, main
dimensions to DIN ISO 355 / DIN 720,
separable, adjusted or in pairs

X-life

Technical information



Main Dimensions & Performance Data

d	15 mm	Bore diameter
D	35 mm	Outside diameter
B	11 mm	Width, inner ring
C	10 mm	Width, outer ring
T	11,75 mm	Width, total
C_r	17.700 N	Basic dynamic load rating, radial
C_{0r}	14.400 N	Basic static load rating, radial
C_{ur}	1.770 N	Fatigue load limit, radial
n_G	26.000 1/min	Limiting speed
n_{gr}	13.400 1/min	Thermal speed rating
	56 g	Weight

Dimensions

$r_{1,2 \text{ min}}$	0,6 mm	Minimum chamfer dimension of inner ring back face
$r_{3,4 \text{ min}}$	0,6 mm	Minimum chamfer dimension of outer ring back face
a	9 mm	Distance between the apexes of the pressure cones
d_1	25,8 mm	Guidance rib diameter of inner ring

Mounting dimensions

$d_{a \max}$	20 mm	Maximum diameter of shaft shoulder
$d_{b \min}$	19 mm	Minimum diameter of shaft shoulder
$D_{a \min}$	29 mm	Minimum diameter of housing shoulder
$D_{a \max}$	29 mm	Maximum diameter of housing shoulder
$D_{b \min}$	32 mm	Minimum diameter of housing shoulder
$C_{a \min}$	2 mm	Minimum axial space
$C_{b \min}$	1,5 mm	Minimum axial space
$r_{a \max}$	0,6 mm	Maximum fillet radius of shaft
$r_{b \max}$	0,6 mm	Maximum fillet radius of housing

Calculation factors

e	0,35	Limiting value of F_a/F_r for the applicability of diff. Values of factors X and Y
Y	1,73	Dynamic axial load factor
Y_0	0,95	Static axial load factor

Temperature range

T_{\min}	-30 °C	Operating temperature min.
T_{\max}	120 °C	Operating temperature max.