



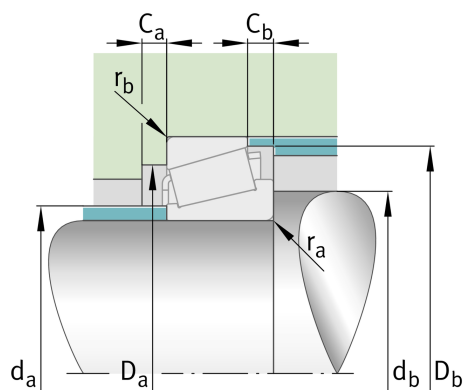
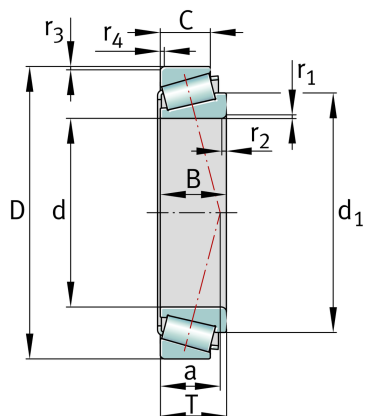
FAG

**30302-A**

## Tapered roller bearing

Schaeffler ID:  
0167108000000Tapered roller bearings 303, main  
dimensions to DIN ISO 355 / DIN 720,  
separable, adjusted or in pairs

## Technical information

**Main Dimensions & Performance Data**

d	15 mm	Bore diameter
D	42 mm	Outside diameter
B	13 mm	Width, inner ring
C	11 mm	Width, outer ring
T	14,25 mm	Width, total
$C_r$	23.000 N	Basic dynamic load rating, radial
$C_{0r}$	20.500 N	Basic static load rating, radial
$C_{ur}$	2.160 N	Fatigue load limit, radial
$n_G$	19.800 1/min	Limiting speed
$n_{gr}$	12.100 1/min	Thermal speed rating
	93 g	Weight

**Dimensions**

	T2FB015	Comparative designation to ISO 10317 and ISO 355
$r_{1,2 \text{ min}}$	1 mm	Minimum chamfer dimension of inner ring back face
$r_{3,4 \text{ min}}$	1 mm	Minimum chamfer dimension of outer ring back face
a	10 mm	Distance between the apexes of the pressure cones
$d_1$	28,2 mm	Guidance rib diameter of inner ring

### Mounting dimensions

$d_{a \max}$	22 mm	Maximum diameter of shaft shoulder
$d_{b \min}$	21 mm	Minimum diameter of shaft shoulder
$D_{a \min}$	36 mm	Minimum diameter of housing shoulder
$D_{a \max}$	36 mm	Maximum diameter of housing shoulder
$D_{b \min}$	38 mm	Minimum diameter of housing shoulder
$C_{a \min}$	2 mm	Minimum axial space
$C_{b \min}$	3 mm	Minimum axial space
$r_{a \max}$	1 mm	Maximum fillet radius of shaft
$r_{b \max}$	1 mm	Maximum fillet radius of housing

### Calculation factors

e	0,29	Limiting value of $F_a/F_r$ for the applicability of diff. Values of factors X and Y
Y	2,11	Dynamic axial load factor
$Y_0$	1,16	Static axial load factor

### Temperature range

$T_{\min}$	-30 °C	Operating temperature min.
$T_{\max}$	120 °C	Operating temperature max.