

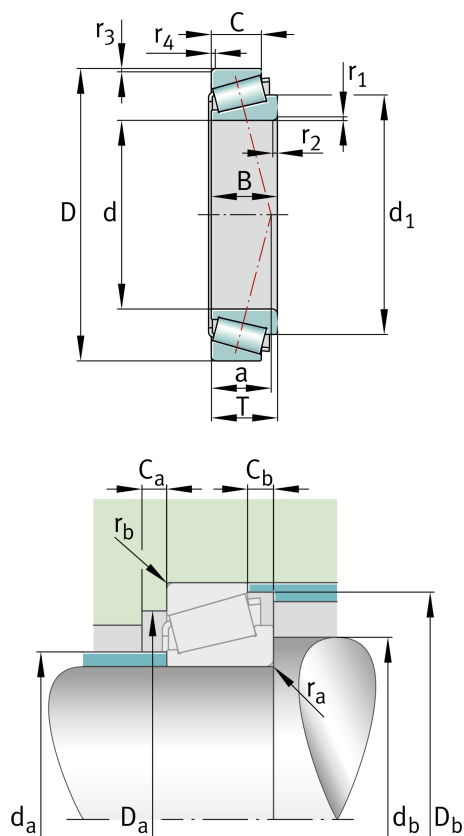
FAG

30303-A

Tapered roller bearing

Schaeffler ID:
0167108270000Tapered roller bearings 303, main
dimensions to DIN ISO 355 / DIN 720,
separable, adjusted or in pairs

Technical information



Main Dimensions & Performance Data

d	17 mm	Bore diameter
D	47 mm	Outside diameter
B	14 mm	Width, inner ring
C	12 mm	Width, outer ring
T	15,25 mm	Width, total
C_r	27.500 N	Basic dynamic load rating, radial
C_{0r}	24.800 N	Basic static load rating, radial
C_{ur}	2.650 N	Fatigue load limit, radial
n_G	17.600 1/min	Limiting speed
n_{gr}	10.900 1/min	Thermal speed rating
	0,001 kg	Weight

Dimensions

	T2FB017	Comparative designation to ISO 10317 and ISO 355
$r_{1,2 \text{ min}}$	1 mm	Minimum chamfer dimension of inner ring back face
$r_{3,4 \text{ min}}$	1 mm	Minimum chamfer dimension of outer ring back face
a	11 mm	Distance between the apexes of the pressure cones
d_1	31,6 mm	Guidance rib diameter of inner ring

Mounting dimensions

$d_{a \max}$	25 mm	Maximum diameter of shaft shoulder
$d_{b \min}$	23 mm	Minimum diameter of shaft shoulder
$D_{a \min}$	40 mm	Minimum diameter of housing shoulder
$D_{a \max}$	41 mm	Maximum diameter of housing shoulder
$D_{b \min}$	42 mm	Minimum diameter of housing shoulder
$C_{a \min}$	2 mm	Minimum axial space
$C_{b \min}$	3 mm	Minimum axial space
$r_{a \max}$	1 mm	Maximum fillet radius of shaft
$r_{b \max}$	1 mm	Maximum fillet radius of housing

Calculation factors

e	0,29	Limiting value of F_a/F_r for the applicability of diff. Values of factors X and Y
Y	2,11	Dynamic axial load factor
Y_0	1,16	Static axial load factor

Temperature range

T_{\min}	-30 °C	Operating temperature min.
T_{\max}	120 °C	Operating temperature max.