

FAG

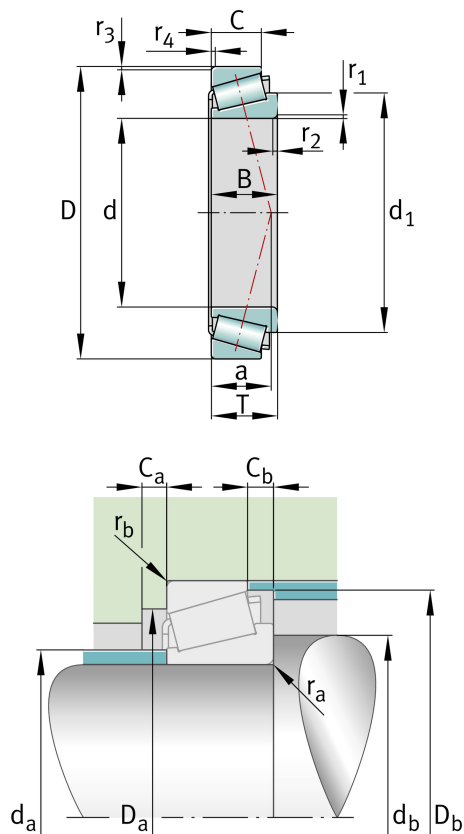
**32212-A**

Tapered roller bearing

Schaeffler ID:  
0167126760000

Tapered roller bearings 322, main dimensions to DIN ISO 355 / DIN 720, separable, adjusted or in pairs

## Technical information



## Main Dimensions &amp; Performance Data

d	60 mm	Bore diameter
D	110 mm	Outside diameter
B	28 mm	Width, inner ring
C	24 mm	Width, outer ring
T	29,75 mm	Width, total
$C_r$	133.000 N	Basic dynamic load rating, radial
$C_{0r}$	169.000 N	Basic static load rating, radial
$C_{ur}$	21.000 N	Fatigue load limit, radial
$n_G$	6.600 1/min	Limiting speed
$n_{gr}$	3.900 1/min	Thermal speed rating
	1,163 kg	Weight

## Dimensions

	T3EC060	Comparative designation to ISO 10317 and ISO 355
$r_{1,2 \min}$	2 mm	Minimum chamfer dimension of inner ring back face
$r_{3,4 \min}$	1,5 mm	Minimum chamfer dimension of outer ring back face
a	25 mm	Distance between the apexes of the pressure cones
$d_1$	82,8 mm	Guidance rib diameter of inner ring

**Mounting dimensions**

$d_{a \max}$	69 mm	Maximum diameter of shaft shoulder
$d_{b \min}$	69 mm	Minimum diameter of shaft shoulder
$D_{a \min}$	95 mm	Minimum diameter of housing shoulder
$D_{a \max}$	101 mm	Maximum diameter of housing shoulder
$D_{b \min}$	104 mm	Minimum diameter of housing shoulder
$C_{a \min}$	4 mm	Minimum axial space
$C_{b \min}$	5,5 mm	Minimum axial space
$r_{a \max}$	2 mm	Maximum fillet radius of shaft
$r_{b \max}$	1,5 mm	Maximum fillet radius of housing

**Calculation factors**

e	0,4	Limiting value of $F_a/F_r$ for the applicability of diff. Values of factors X and Y
Y	1,48	Dynamic axial load factor
$Y_0$	0,81	Static axial load factor

**Temperature range**

$T_{\min}$	-30 °C	Operating temperature min.
$T_{\max}$	120 °C	Operating temperature max.