

FAG

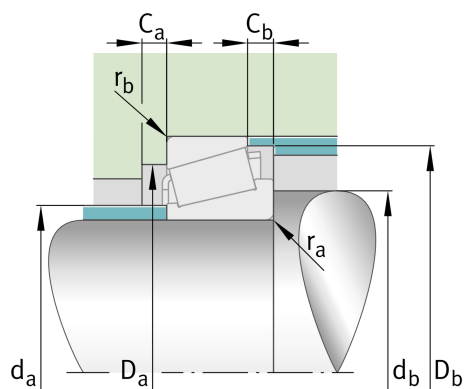
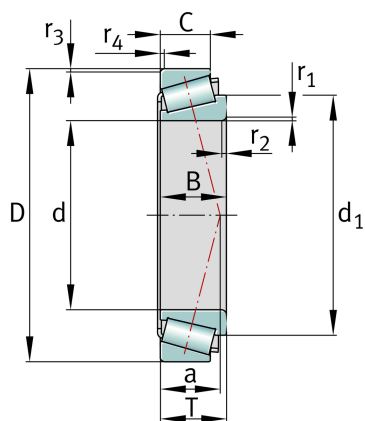
32240-XL

Tapered roller bearing

Schaeffler ID:
0805323060000Tapered roller bearings 322, main
dimensions to DIN ISO 355 / DIN 720,
separable, adjusted or in pairs

X-life

Technical information



Main Dimensions & Performance Data

d	200 mm	Bore diameter
D	360 mm	Outside diameter
B	98 mm	Width, inner ring
C	82 mm	Width, outer ring
T	104 mm	Width, total
C_r	1.570.000 N	Basic dynamic load rating, radial
C_{0r}	2.080.000 N	Basic static load rating, radial
C_{ur}	260.000 N	Fatigue load limit, radial
n_G	2.030 1/min	Limiting speed
n_{gr}	1.080 1/min	Thermal speed rating
	42,42 kg	Weight

Dimensions

	T3GD200	Comparative designation to ISO 10317 and ISO 355
$r_{1,2 \text{ min}}$	5 mm	Minimum chamfer dimension of inner ring back face
$r_{3,4 \text{ min}}$	4 mm	Minimum chamfer dimension of outer ring back face
a	83 mm	Distance between the apexes of the pressure cones
d_1	269,5 mm	Guidance rib diameter of inner ring

Mounting dimensions

$d_{a \max}$	226 mm	Maximum diameter of shaft shoulder
$d_{b \min}$	217 mm	Minimum diameter of shaft shoulder
$D_{a \min}$	302 mm	Minimum diameter of housing shoulder
$D_{a \max}$	342 mm	Maximum diameter of housing shoulder
$D_{b \min}$	340 mm	Minimum diameter of housing shoulder
$C_{a \min}$	11 mm	Minimum axial space
$C_{b \min}$	22 mm	Minimum axial space
$r_{a \max}$	5 mm	Maximum fillet radius of shaft
$r_{b \max}$	4 mm	Maximum fillet radius of housing

Calculation factors

e	0,41	Limiting value of F_a/F_r for the applicability of diff. Values of factors X and Y
Y	1,48	Dynamic axial load factor
Y_0	0,81	Static axial load factor

Temperature range

T_{\min}	-30 °C	Operating temperature min.
T_{\max}	200 °C	Operating temperature max.