

FAG

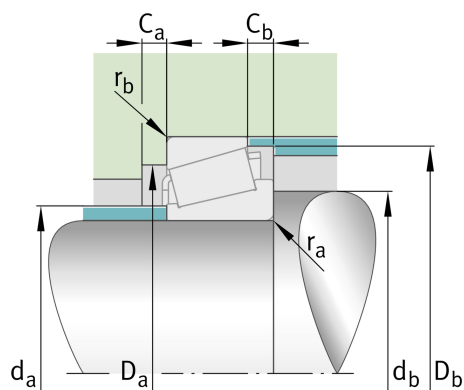
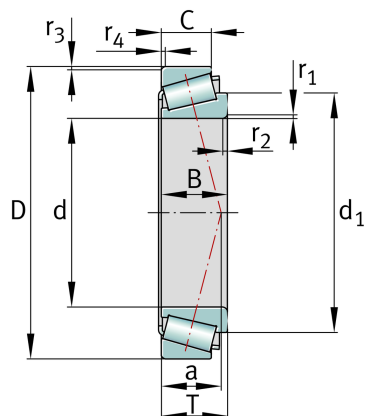
32311-B

Tapered roller bearing

Schaeffler ID:
0167130280000

Tapered roller bearings 323, main dimensions to DIN ISO 355 / DIN 720, separable, adjusted or in pairs

Technical information

**Main Dimensions & Performance Data**

d	55 mm	Bore diameter
D	120 mm	Outside diameter
B	43 mm	Width, inner ring
C	35 mm	Width, outer ring
T	45,5 mm	Width, total
C_r	194.000 N	Basic dynamic load rating, radial
C_{0r}	265.000 N	Basic static load rating, radial
C_{ur}	34.000 N	Fatigue load limit, radial
n_G	5.900 1/min	Limiting speed
n_{gr}	4.450 1/min	Thermal speed rating
	2,523 kg	Weight

Dimensions

	T5FD055	Comparative designation to ISO 10317 and ISO 355
$r_{1,2 \text{ min}}$	2,5 mm	Minimum chamfer dimension of inner ring back face
$r_{3,4 \text{ min}}$	2 mm	Minimum chamfer dimension of outer ring back face
a	36 mm	Distance between the apexes of the pressure cones
d_1	89,6 mm	Guidance rib diameter of inner ring

Mounting dimensions

$d_{a \max}$	65 mm	Maximum diameter of shaft shoulder
$d_{b \min}$	65 mm	Minimum diameter of shaft shoulder
$D_{a \min}$	91 mm	Minimum diameter of housing shoulder
$D_{a \max}$	110 mm	Maximum diameter of housing shoulder
$D_{b \min}$	112 mm	Minimum diameter of housing shoulder
$C_{a \min}$	5 mm	Minimum axial space
$C_{b \min}$	10,5 mm	Minimum axial space
$r_{a \max}$	2,5 mm	Maximum fillet radius of shaft
$r_{b \max}$	2 mm	Maximum fillet radius of housing

Calculation factors

e	0,55	Limiting value of F_a/F_r for the applicability of diff. Values of factors X and Y
Y	1,1	Dynamic axial load factor
Y_0	0,6	Static axial load factor

Temperature range

T_{\min}	-30 °C	Operating temperature min.
T_{\max}	120 °C	Operating temperature max.