

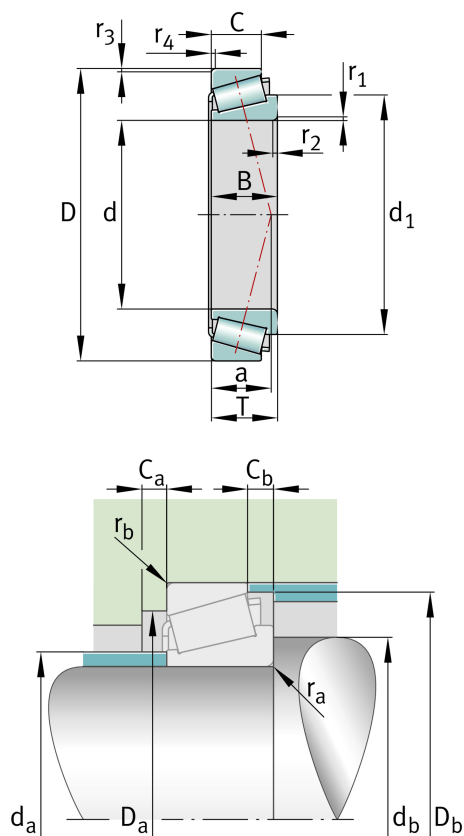
FAG

33213

Tapered roller bearing

Schaeffler ID:  
0167141130000Tapered roller bearings 332, main  
dimensions to DIN ISO 355 / DIN 720,  
separable, adjusted or in pairs

## Technical information



## Main Dimensions &amp; Performance Data

d	65 mm	Bore diameter
D	120 mm	Outside diameter
B	41 mm	Width, inner ring
C	32 mm	Width, outer ring
T	41 mm	Width, total
$C_r$	203.000 N	Basic dynamic load rating, radial
$C_{0r}$	285.000 N	Basic static load rating, radial
$C_{ur}$	36.500 N	Fatigue load limit, radial
$n_G$	5.700 1/min	Limiting speed
$n_{gr}$	3.750 1/min	Thermal speed rating
	2,005 kg	Weight

## Dimensions

	T3EE065	Comparative designation to ISO 10317 and ISO 355
$r_{1,2 \text{ min}}$	2 mm	Minimum chamfer dimension of inner ring back face
$r_{3,4 \text{ min}}$	1,5 mm	Minimum chamfer dimension of outer ring back face
a	30 mm	Distance between the apexes of the pressure cones
$d_1$	93,1 mm	Guidance rib diameter of inner ring

### Mounting dimensions

$d_{a \max}$	74 mm	Maximum diameter of shaft shoulder
$d_{b \min}$	74 mm	Minimum diameter of shaft shoulder
$D_{a \min}$	102 mm	Minimum diameter of housing shoulder
$D_{a \max}$	111 mm	Maximum diameter of housing shoulder
$D_{b \min}$	115 mm	Minimum diameter of housing shoulder
$C_{a \min}$	6 mm	Minimum axial space
$C_{b \min}$	9 mm	Minimum axial space
$r_{a \max}$	2 mm	Maximum fillet radius of shaft
$r_{b \max}$	1,5 mm	Maximum fillet radius of housing

### Calculation factors

e	0,39	Limiting value of $F_a/F_r$ for the applicability of diff. Values of factors X and Y
Y	1,54	Dynamic axial load factor
$Y_0$	0,85	Static axial load factor

### Temperature range

$T_{\min}$	-30 °C	Operating temperature min.
$T_{\max}$	120 °C	Operating temperature max.