

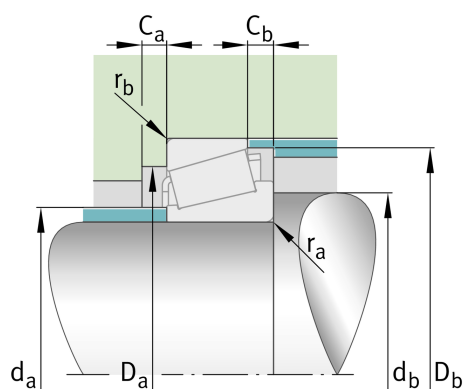
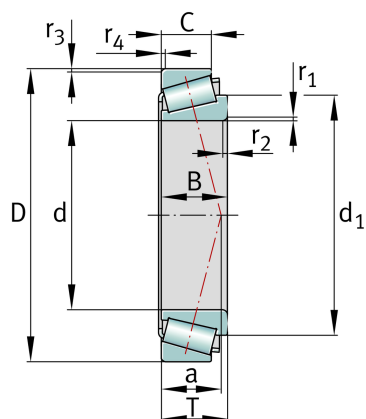
FAG

KHM88542-HM88510

Tapered roller bearing

Schaeffler ID:
0192017100000Tapered roller bearing K-SERIES, single
row

Technical information

**Main Dimensions & Performance Data**

d	31,75 mm	Bore diameter
D	73,025 mm	Outside diameter
B	27,782 mm	Width, inner ring
C	23,02 mm	Width, outer ring
T	29,37 mm	Width, total
C_r	72.000 N	Basic dynamic load rating, radial
C_{0r}	97.000 N	Basic static load rating, radial
C_{ur}	12.400 N	Fatigue load limit, radial
n_G	9.900 1/min	Limiting speed
	0,641 kg	Weight

Dimensions

$r_{1,2 \text{ min}}$	1,3 mm	Minimum chamfer dimension of inner ring back face
$r_{3,4 \text{ min}}$	3,3 mm	Minimum chamfer dimension of outer ring back face
a	24 mm	Distance between the apexes of the pressure cones
d_1	58 mm	Guidance rib diameter of inner ring

Mounting dimensions

$d_{a \text{ max}}$	42,6 mm	Maximum diameter of shaft shoulder
$d_{b \text{ min}}$	45,5 mm	Minimum diameter of shaft shoulder
$D_{a \text{ min}}$	59 mm	Minimum diameter of housing shoulder
$D_{b \text{ min}}$	70 mm	Minimum diameter of housing shoulder
$C_{a \text{ min}}$	4 mm	Minimum axial space
$C_{b \text{ min}}$	6 mm	Minimum axial space
$r_{a \text{ max}}$	1,3 mm	Maximum fillet radius of shaft
$r_{b \text{ max}}$	3,3 mm	Maximum fillet radius of housing

Calculation factors

e	0,55	Limiting value of Fa/Fr for the applicability of diff. Values of factors X and Y
Y	1,1	Dynamic axial load factor
Y ₀	0,6	Static axial load factor

Temperature range

T _{min}	-30 °C	Operating temperature min.
T _{max}	120 °C	Operating temperature max.