

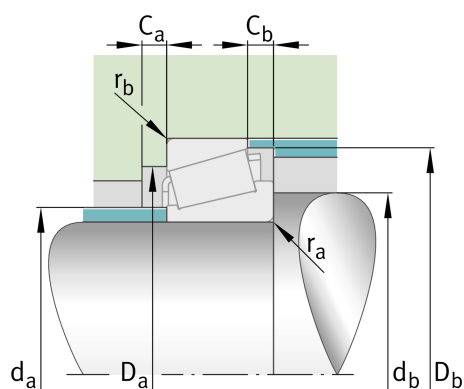
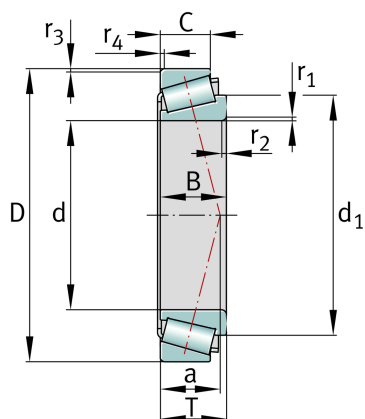
FAG

## KL44649-L44610

Tapered roller bearing

Schaeffler ID:  
0167317350000Tapered roller bearing K-SERIES, single  
row

## Technical information



## Main Dimensions &amp; Performance Data

d	26,988 mm	Bore diameter
D	50,292 mm	Outside diameter
B	14,732 mm	Width, inner ring
C	10,668 mm	Width, outer ring
T	14,224 mm	Width, total
$C_r$	26.000 N	Basic dynamic load rating, radial
$C_{0r}$	29.500 N	Basic static load rating, radial
$C_{ur}$	3.250 N	Fatigue load limit, radial
$n_G$	15.200 1/min	Limiting speed
	0,001 kg	Weight

## Dimensions

$r_{1,2 \text{ min}}$	3,6 mm	Minimum chamfer dimension of inner ring back face
$r_{3,4 \text{ min}}$	1,3 mm	Minimum chamfer dimension of outer ring back face
a	11 mm	Distance between the apexes of the pressure cones
$d_1$	40,1 mm	Guidance rib diameter of inner ring

## Mounting dimensions

$d_{a \text{ max}}$	31 mm	Maximum diameter of shaft shoulder
$d_{b \text{ min}}$	37,5 mm	Minimum diameter of shaft shoulder
$D_{a \text{ min}}$	44,5 mm	Minimum diameter of housing shoulder
$D_{a \text{ max}}$	44 mm	Maximum diameter of housing shoulder
$D_{b \text{ min}}$	47 mm	Minimum diameter of housing shoulder
$C_{a \text{ min}}$	2,5 mm	Minimum axial space
$C_{b \text{ min}}$	3,5 mm	Minimum axial space
$r_{a \text{ max}}$	3,6 mm	Maximum fillet radius of shaft
$r_{b \text{ max}}$	1,3 mm	Maximum fillet radius of housing

**Calculation factors**

e	0,37	Limiting value of Fa/Fr for the applicability of diff. Values of factors X and Y
Y	1,6	Dynamic axial load factor
Y <sub>0</sub>	0,88	Static axial load factor

**Temperature range**

T <sub>min</sub>	-30 °C	Operating temperature min.
T <sub>max</sub>	120 °C	Operating temperature max.