

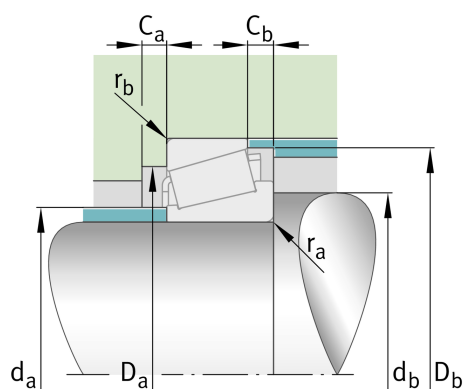
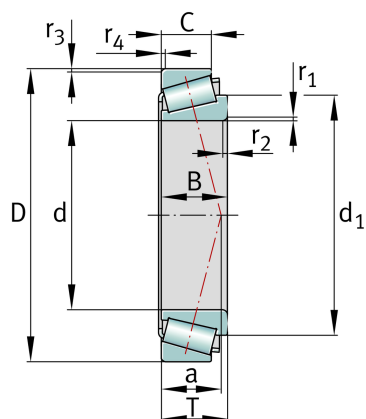
FAG

KLM11749-LM11710

Tapered roller bearing

Schaeffler ID:
0167317430000Tapered roller bearing K-SERIES, single
row

Technical information



Main Dimensions & Performance Data

| | | |
|----------|--------------|-----------------------------------|
| d | 17,462 mm | Bore diameter |
| D | 39,878 mm | Outside diameter |
| B | 14,605 mm | Width, inner ring |
| C | 10,668 mm | Width, outer ring |
| T | 13,843 mm | Width, total |
| C_r | 21.200 N | Basic dynamic load rating, radial |
| C_{0r} | 20.800 N | Basic static load rating, radial |
| C_{ur} | 2.240 N | Fatigue load limit, radial |
| n_G | 20.100 1/min | Limiting speed |
| | 0,08 kg | Weight |

Dimensions

| | | |
|-----------------------|---------|---|
| $r_{1,2 \text{ min}}$ | 1,3 mm | Minimum chamfer dimension of inner ring back face |
| $r_{3,4 \text{ min}}$ | 1,3 mm | Minimum chamfer dimension of outer ring back face |
| a | 9 mm | Distance between the apexes of the pressure cones |
| d_1 | 29,6 mm | Guidance rib diameter of inner ring |

Mounting dimensions

| | | |
|---------------------|---------|--------------------------------------|
| $d_{a \text{ max}}$ | 21,5 mm | Maximum diameter of shaft shoulder |
| $d_{b \text{ min}}$ | 23 mm | Minimum diameter of shaft shoulder |
| $D_{a \text{ min}}$ | 34 mm | Minimum diameter of housing shoulder |
| $D_{b \text{ min}}$ | 37 mm | Minimum diameter of housing shoulder |
| $C_{a \text{ min}}$ | 3 mm | Minimum axial space |
| $C_{b \text{ min}}$ | 3 mm | Minimum axial space |
| $r_{a \text{ max}}$ | 1,3 mm | Maximum fillet radius of shaft |
| $r_{b \text{ max}}$ | 1,3 mm | Maximum fillet radius of housing |

Calculation factors

| | | |
|----------------|------|--|
| e | 0,29 | Limiting value of Fa/Fr for the applicability of diff. Values of factors X and Y |
| Y | 2,1 | Dynamic axial load factor |
| Y ₀ | 1,15 | Static axial load factor |

Temperature range

| | | |
|------------------|--------|----------------------------|
| T _{min} | -30 °C | Operating temperature min. |
| T _{max} | 120 °C | Operating temperature max. |