



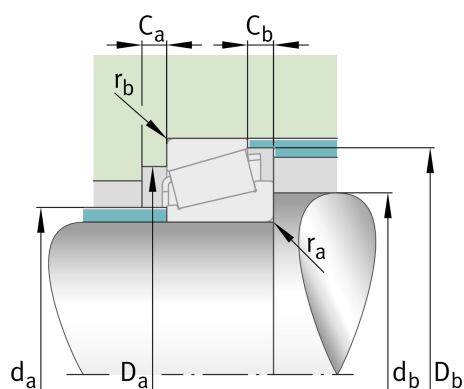
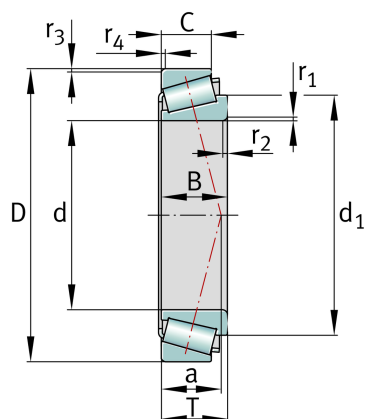
FAG

KLM300849-LM300811

Tapered roller bearing

Schaeffler ID:
0205024940000Tapered roller bearing K-SERIES, single
row

Technical information



Main Dimensions & Performance Data

d	40,987 mm	Bore diameter
D	67,975 mm	Outside diameter
B	18 mm	Width, inner ring
C	13,5 mm	Width, outer ring
T	17,5 mm	Width, total
C_r	46.000 N	Basic dynamic load rating, radial
C_{0r}	63.000 N	Basic static load rating, radial
C_{ur}	7.500 N	Fatigue load limit, radial
n_G	10.700 1/min	Limiting speed
	0,002 kg	Weight

Dimensions

$r_{1,2 \text{ min}}$	3,6 mm	Minimum chamfer dimension of inner ring back face
$r_{3,4 \text{ min}}$	1,5 mm	Minimum chamfer dimension of outer ring back face
a	14 mm	Distance between the apexes of the pressure cones
d_1	54,3 mm	Guidance rib diameter of inner ring

Mounting dimensions

$d_{a \text{ max}}$	45 mm	Maximum diameter of shaft shoulder
$d_{b \text{ min}}$	52 mm	Minimum diameter of shaft shoulder
$D_{a \text{ min}}$	61 mm	Minimum diameter of housing shoulder
$D_{b \text{ min}}$	65 mm	Minimum diameter of housing shoulder
$C_{a \text{ min}}$	3 mm	Minimum axial space
$C_{b \text{ min}}$	4 mm	Minimum axial space
$r_{a \text{ max}}$	3,6 mm	Maximum fillet radius of shaft
$r_{b \text{ max}}$	1,5 mm	Maximum fillet radius of housing

Calculation factors

e	0,35	Limiting value of Fa/Fr for the applicability of diff. Values of factors X and Y
Y	1,72	Dynamic axial load factor
Y ₀	0,95	Static axial load factor

Temperature range

T _{min}	-30 °C	Operating temperature min.
T _{max}	120 °C	Operating temperature max.