

FAG

WS22205-E1-XL-2RSR

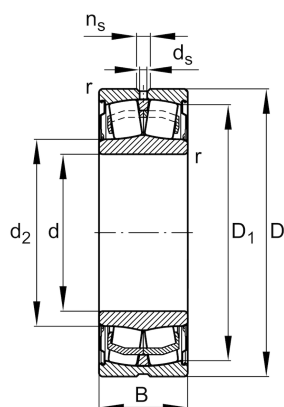
Spherical roller bearing

Schaeffler ID:
0800104310000

Sealed spherical roller bearings WS222..-E1, lip seals on both sides, for continuous casting machines

X-life

Technical information



Main Dimensions & Performance Data

d	25 mm	Bore diameter
D	52 mm	Outside diameter
B	23 mm	Width
C _r	48.500 N	Basic dynamic load rating, radial
C _{0r}	42.500 N	Basic static load rating, radial
C _{ur}	4.900 N	Fatigue load limit, radial
n _G	3.600 1/min	Limiting speed
	0,228 kg	Weight

Additional information

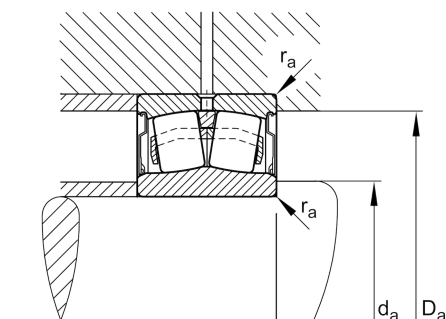
r _{min}	1 mm	Minimum chamfer dimension
D ₁	46,1 mm	Bore diameter outer ring
d ₂	29,8 mm	Raceway diameter of the inner ring
d _s	3,2 mm	Diameter lubrication hole
n _s	4,8 mm	Width of lubricating groove

Mounting dimensions

d _{a min}	29,8 mm	Minimum diameter shaft shoulder
D _{a max}	46,4 mm	Maximum diameter of housing shoulder
r _{a max}	1 mm	Maximum recess radius

Calculation factors

e	0,33	Limiting value of Fa/Fr for the applicability of diff. Values of factors X and Y
Y ₁	2,07	Dynamic axial load factor
Y ₂	3,09	Dynamic axial load factor
Y ₀	2,03	Static axial load factor



Temperature range

T _{min}	-30 °C	Operating temperature min.
T _{max}	100 °C	Operating temperature max.