

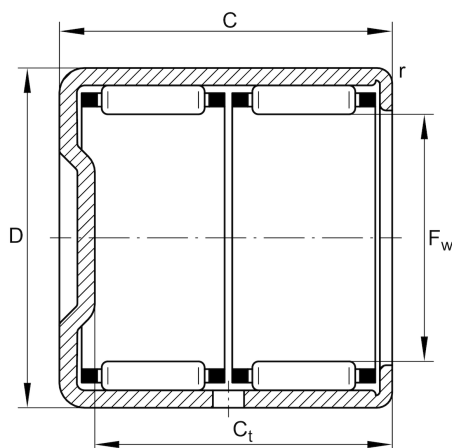
## BK3038-ZW

Drawn cup needle roller bearing closed end

Schaeffler ID:  
0001954210000

Drawn cup needle roller bearings with  
closed end BK, to DIN 618/ISO 3245

### Technical information



#### Main Dimensions & Performance Data

$F_w$	30 mm	Under roller diameter
$D$	37 mm	Outside diameter
$C$	38 mm	Width, outer ring
$C_r$	37.500 N	Basic dynamic load rating, radial
$C_{0r}$	79.000 N	Basic static load rating, radial
$C_{ur}$	10.300 N	Fatigue load limit, radial
$n_G$	8.600 1/min	Limiting speed
$n_{gr}$	6.200 1/min	Reference speed
	84 g	Weight

#### Additional information

$r_{min}$	0,8 mm	Minimum chamfer dimension
	LR25X30X38,5	Suitable inner rings LR
$C_{tmin}$	35,3 mm	Minimum width to base of drawn cup with closed end
	IR25X30X38,5-XL	Suitable inner rings IR

#### Temperature range

$T_{min}$	-30 °C	Operating temperature min.
$T_{max}$	140 °C	Operating temperature max.