

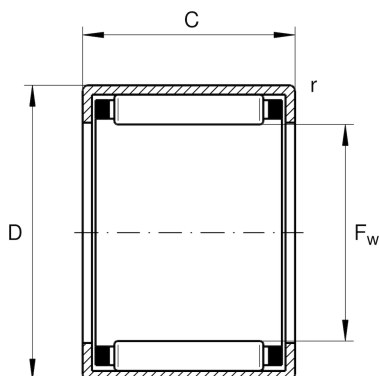
HK5025

Drawn cup needle roller bearing open end

Schaeffler ID:
0001936660000

Drawn cup needle roller bearing open end
HK, single row, with cage

Technical information



Main Dimensions & Performance Data

F_w	50 mm	Under roller diameter
D	58 mm	Outside diameter
C	25 mm	Width
C_r	38.500 N	Basic dynamic load rating, radial
C_{0r}	84.000 N	Basic static load rating, radial
C_{ur}	11.900 N	Fatigue load limit, radial
n_G	5.300 1/min	Limiting speed
$n_{G \text{ Grease}}$	3.150 1/min	Limiting speed for grease lubrication
n_{gr}	4.000 1/min	Reference speed
	87,29 g	Weight

Dimensions

	SD50X58X4	Sealing ring
C_1	25 mm	Width, outer ring
r_{min}	0,8 mm	Minimum chamfer dimension
	G50X58X4	Sealing ring 2
	IR45X50X25-XL	Suitable inner rings IR

Temperature range

T_{min}	-30 °C	Operating temperature min.
T_{max}	140 °C	Operating temperature max.