

NA6917-ZW-XL

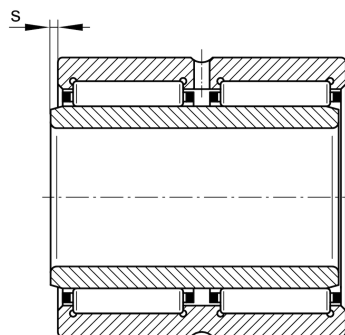
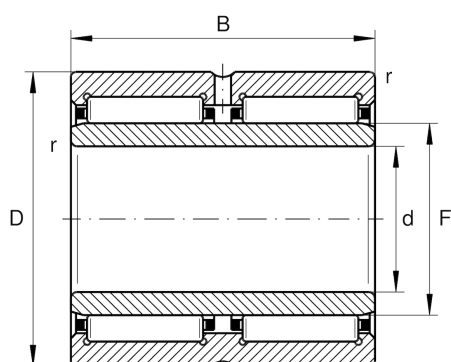
Needle roller bearing

Schaeffler ID:
0507442910000

Needle roller bearings NA69..-ZW,
Dimension series 69, double row

X-life

Technical information



Main Dimensions & Performance Data

d	85 mm	Bore diameter
D	120 mm	Outside diameter
B	63 mm	Width
C_r	188.000 N	Basic dynamic load rating, radial
C_{0r}	400.000 N	Basic static load rating, radial
C_{ur}	72.000 N	Fatigue load limit, radial
n_G	4.600 1/min	Limiting speed
n_{gr}	2.700 1/min	Reference speed
	2,264 kg	Weight

Dimensions

F	100 mm	Raceway diameter inner ring
r_{min}	1,1 mm	Minimum chamfer dimension
s	1 mm	Axial displacement

Temperature range

T_{min}	-30 °C	Operating temperature min.
T_{max}	120 °C	Operating temperature max.