



## NAO17X35X16-XL

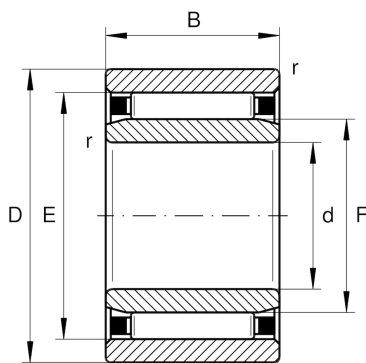
Needle roller bearing

Schaeffler ID:  
0507780130000

Needle roller bearings NAO, without ribs

X-life

### Technical information



### Main Dimensions & Performance Data

d	17 mm	Bore diameter
D	35 mm	Outside diameter
B	16 mm	Width
$C_r$	22.600 N	Basic dynamic load rating, radial
$C_{0r}$	25.500 N	Basic static load rating, radial
$C_{ur}$	4.250 N	Fatigue load limit, radial
$n_G$	19.200 1/min	Limiting speed
$n_{gr}$	10.100 1/min	Reference speed
	0,078 kg	Weight

### Dimensions

F	22 mm	Raceway diameter inner ring
E	29 mm	Raceway diameter outer ring
$r_{min}$	0,3 mm	Minimum chamfer dimension
s	0,5 mm	Axial displacement

### Mounting dimensions

$d_a$	21,5 mm	Mounting dimension
$D_b$	22,4 mm	Shoulder diameter axial guidance NK/housing
$d_b$	28,4 mm	Shoulder diameter axial guidance NK/shaft
$D_a$	29,5 mm	Shoulder diameter outer ring
$r_{a max}$	0,3 mm	Maximum recess radius

### Temperature range

$T_{min}$	-30 °C	Operating temperature min.
$T_{max}$	120 °C	Operating temperature max.

