**NKIS15-XL**

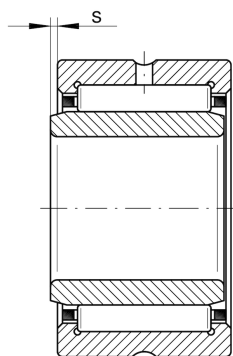
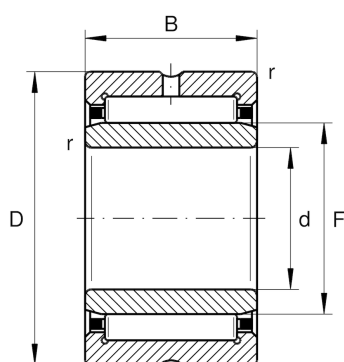
Radial roller bearing

Schaeffler ID:
0507709420000

Needle roller bearings NKIS, heavy series

X-life

Technical information

**Main Dimensions & Performance Data**

d	15 mm	Bore diameter
D	35 mm	Outside diameter
B	20 mm	Width
C_r	27.500 N	Basic dynamic load rating, radial
C_{0r}	28.000 N	Basic static load rating, radial
C_{ur}	5.000 N	Fatigue load limit, radial
n_G	18.500 1/min	Limiting speed
$n_{G \text{ Grease}}$	11.100 1/min	Limiting speed for grease lubrication
n_{gr}	9.400 1/min	Reference speed
	94,9 g	Weight

Dimensions

r_{\min}	0,6 mm	Minimum chamfer dimension
F	22 mm	Raceway diameter inner ring
s	0,5 mm	Axial displacement

Temperature range

T_{\min}	-30 °C	Operating temperature min.
T_{\max}	120 °C	Operating temperature max.