

## NKIS45-XL

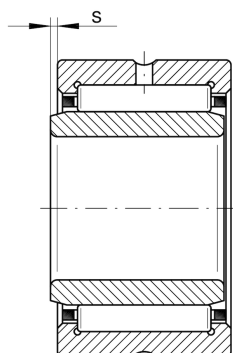
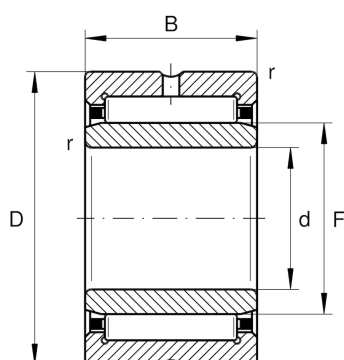
Radial roller bearing

Schaeffler ID:  
0507710270000

Needle roller bearings NKIS, heavy series

X-life

### Technical information



#### Main Dimensions & Performance Data

d	45 mm	Bore diameter
D	72 mm	Outside diameter
B	22 mm	Width
$C_r$	51.000 N	Basic dynamic load rating, radial
$C_{0r}$	74.000 N	Basic static load rating, radial
$C_{ur}$	13.000 N	Fatigue load limit, radial
$n_G$	8.200 1/min	Limiting speed
$n_{G \text{ Grease}}$	4.900 1/min	Limiting speed for grease lubrication
$n_{gr}$	4.600 1/min	Reference speed
	0,003 kg	Weight

#### Dimensions

$r_{\min}$	1 mm	Minimum chamfer dimension
F	55 mm	Raceway diameter inner ring
s	0,5 mm	Axial displacement

#### Temperature range

$T_{\min}$	-30 °C	Operating temperature min.
$T_{\max}$	120 °C	Operating temperature max.