

**NKIS55-XL**

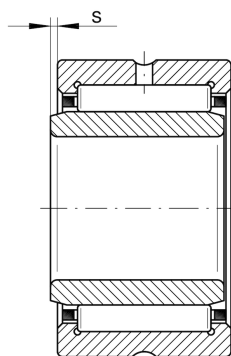
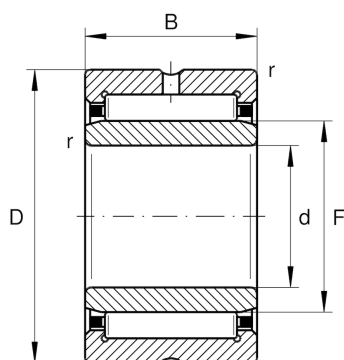
Radial roller bearing

Schaeffler ID:
0507712560000

Needle roller bearings NKIS, heavy series

X-life

Technical information

**Main Dimensions & Performance Data**

d	55 mm	Bore diameter
D	85 mm	Outside diameter
B	28 mm	Width
C_r	75.000 N	Basic dynamic load rating, radial
C_{0r}	108.000 N	Basic static load rating, radial
C_{ur}	19.400 N	Fatigue load limit, radial
n_G	6.900 1/min	Limiting speed
$n_{G \text{ Grease}}$	4.100 1/min	Limiting speed for grease lubrication
n_{gr}	4.000 1/min	Reference speed
	0,562 kg	Weight

Dimensions

r_{\min}	1,1 mm	Minimum chamfer dimension
F	65 mm	Raceway diameter inner ring
s	2 mm	Axial displacement

Temperature range

T_{\min}	-30 °C	Operating temperature min.
T_{\max}	120 °C	Operating temperature max.