



NKIS65-XL

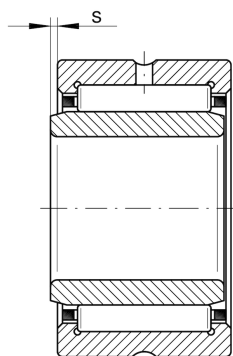
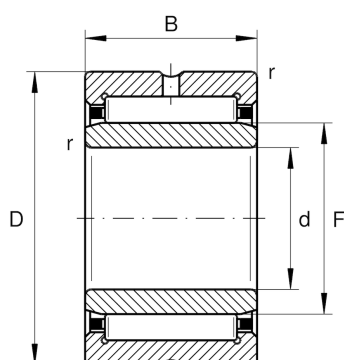
Radial roller bearing

Schaeffler ID:
 \${ctx.productData.sapMaterialNumber}

Needle roller bearings NKIS, heavy series

X-life

Technical information



Main Dimensions & Performance Data

d	65 mm	Bore diameter
D	95 mm	Outside diameter
B	28 mm	Width
C_r	81.000 N	Basic dynamic load rating, radial
C_{0r}	123.000 N	Basic static load rating, radial
C_{ur}	22.200 N	Fatigue load limit, radial
n_G	6.000 1/min	Limiting speed
$n_{G \text{ Grease}}$	3.600 1/min	Limiting speed for grease lubrication
n_{gr}	3.600 1/min	Reference speed
	0,641 kg	Weight

Dimensions

r_{\min}	1,1 mm	Minimum chamfer dimension
F	75 mm	Raceway diameter inner ring
s	2 mm	Axial displacement

Temperature range

T_{\min}	-30 °C	Operating temperature min.
T_{\max}	120 °C	Operating temperature max.