

RNAO40X55X20-XL

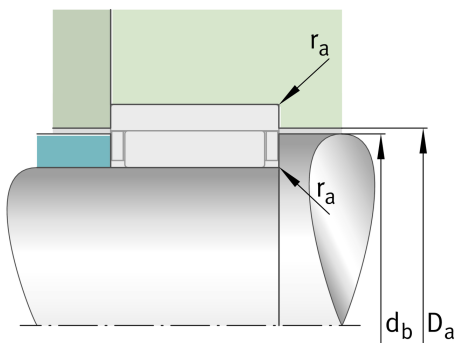
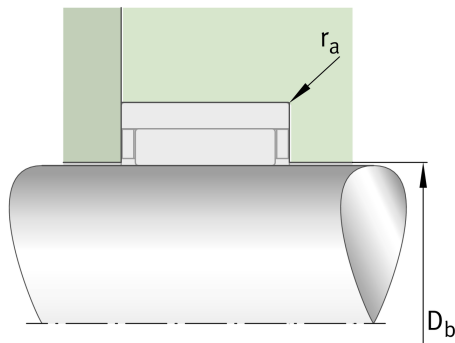
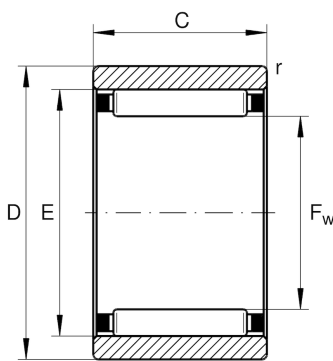
Needle roller bearing

Schaeffler ID:
0507760530000

Needle roller bearings RNAO, without ribs

X-life

Technical information



Main Dimensions & Performance Data

F_w	40 mm	Under roller diameter
D	55 mm	Outside diameter
C	20 mm	Width, outer ring
C_r	37.000 N	Basic dynamic load rating, radial
C_{0r}	57.000 N	Basic static load rating, radial
C_{ur}	9.100 N	Fatigue load limit, radial
n_G	11.300 1/min	Limiting speed
n_{gr}	6.600 1/min	Reference speed
	0,001 kg	Weight

Dimensions

E	47 mm	Raceway diameter outer ring
r_{min}	0,3 mm	Minimum chamfer dimension

Mounting dimensions

D_b	40,6 mm	Shoulder diameter axial guidance NK/housing
d_b	46,2 mm	Shoulder diameter axial guidance NK/shaft
D_a	47,5 mm	Shoulder diameter outer ring
$r_{a max}$	0,3 mm	Maximum recess radius

Temperature range

T_{min}	-30 °C	Operating temperature min.
T_{max}	120 °C	Operating temperature max.