

## NKX30-XL

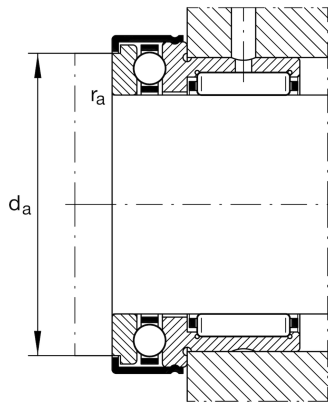
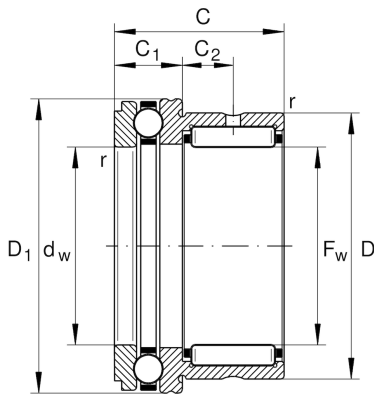
Needle roller/axial ball bearing

Schaeffler ID:  
0506048130000

Needle roller/axial ball bearings NKX, axial component, single direction, to DIN 5429, without end cap, for oil lubrication

X-life

### Technical information



### Main Dimensions & Performance Data

$F_w$	30 mm	Bore diameter
$D$	42 mm	Outside diameter
$C$	30 mm	Height
$C_r$	25.500 N	Basic dynamic load rating, radial
$C_{0r}$	36.000 N	Basic static load rating, radial
$C_a$	20.400 N	Basic dynamic load rating, axial
$C_{0a}$	42.000 N	Basic static load rating, axial
$C_{ur}$	6.400 N	Fatigue load limit, radial
$C_{ua}$	2.090 N	Fatigue load limit, axial
$n_G$	5.000 1/min	Limiting speed
	0,001 kg	Weight

### Dimensions

$D_{1\max}$	47,1 mm	Maximum outside diameter flange
	IR25X30X20-XL	Suitable inner rings IR
$D_{2\max}$	47,1 mm	Maximum outside diameter flange
$C_1$	11 mm	Width of the axial bearing component
$C_1$	9,5 mm	Distance to lubrication hole
$C_2$	9,5 mm	Distance to lubrication hole
$d_w$	30 mm	Bore diameter of shaft washer
$r_{\min}$	0,6 mm	Minimum chamfer dimension

### Mounting dimensions

$d_a$	42,7 mm	Mounting dimension shaft shoulder
$r_{a\max}$	0,6 mm	Maximum recess radius

### Temperature range

$T_{\min}$	-30 °C	Operating temperature min.
$T_{\max}$	120 °C	Operating temperature max.