

NKX45-Z-XL

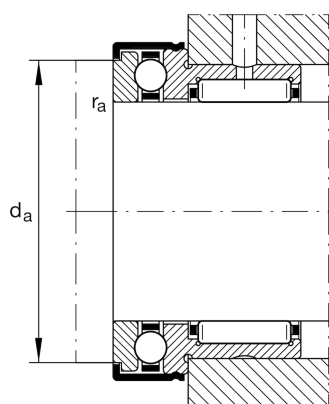
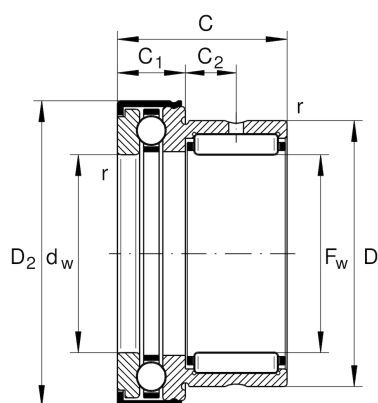
Needle roller/axial ball bearing

Schaeffler ID:
0507476220000

Needle roller/axial ball bearings NKX...-Z, axial component, single direction, to DIN 5429, with end cap, for grease lubrication

X-life

Technical information



Main Dimensions & Performance Data

F_w	45 mm	Bore diameter
D	58 mm	Outside diameter
C	32 mm	Height
C_r	31.000 N	Basic dynamic load rating, radial
C_{0r}	53.000 N	Basic static load rating, radial
C_a	28.000 N	Basic dynamic load rating, axial
C_{0a}	69.000 N	Basic static load rating, axial
C_{ur}	9.400 N	Fatigue load limit, radial
C_{ua}	3.400 N	Fatigue load limit, axial
n_G	3.600 1/min	Limiting speed
	0,003 kg	Weight

Dimensions

$D_{1\max}$	66,5 mm	Maximum outside diameter flange
	IR40X45X20-XL	Suitable inner rings IR
$D_{2\max}$	66,5 mm	Maximum outside diameter flange
C_1	14 mm	Width of the axial bearing component
C_1	9 mm	Distance to lubrication hole
C_2	9 mm	Distance to lubrication hole
d_w	45 mm	Bore diameter of shaft washer
r_{\min}	0,6 mm	Minimum chamfer dimension

Mounting dimensions

d_a	60,5 mm	Mounting dimension shaft shoulder
$r_{a\max}$	0,6 mm	Maximum recess radius

Temperature range

T_{\min}	-30 °C	Operating temperature min.
T_{\max}	120 °C	Operating temperature max.