**NX15-Z-XL**

Needle roller/axial ball bearing

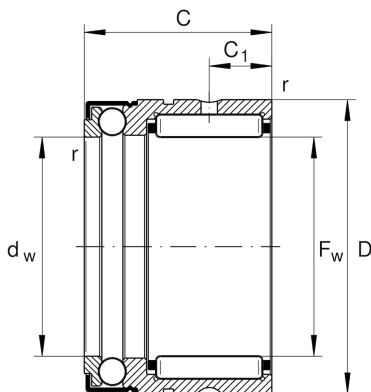
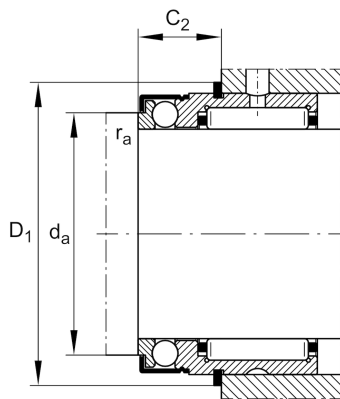
Schaeffler ID:  
0507791760000

Needle roller/axial ball bearings NX..-Z, single direction axial component, for grease lubrication

X-life

## Technical information

2)

**Main Dimensions & Performance Data**

$F_w$	15 mm	Bore diameter
$D$	24 mm	Outside diameter
$C$	28 mm	Height
$C_r$	12.100 N	Basic dynamic load rating, radial
$C_{0r}$	12.700 N	Basic static load rating, radial
$C_a$	5.600 N	Basic dynamic load rating, axial
$C_{0a}$	10.400 N	Basic static load rating, axial
$C_{ur}$	2.360 N	Fatigue load limit, radial
$C_{ua}$	475 N	Fatigue load limit, axial
$n_G$	8.000 1/min	Limiting speed
	46,6 g	Weight

**Dimensions**

	IR12X15X16-XL	Suitable inner rings IR
	WR24, SW24	Snap ring
$C_1$	8 mm	Distance to lubrication hole
$C_2$	8 mm	Distance to lubrication hole
$d_w$	15 mm	Bore diameter of shaft washer
$r_{min}$	0,3 mm	Minimum chamfer dimension

**Mounting dimensions**

$d_a$	19 mm	Mounting dimension shaft shoulder
$r_{a max}$	0,3 mm	Maximum recess radius
$D_1$	26,5 mm	Connection diameter snap ring
$C_2$	12,2 mm	Connection width with snap ring

**Temperature range**

$T_{min}$	-30 °C	Operating temperature min.
$T_{max}$	120 °C	Operating temperature max.