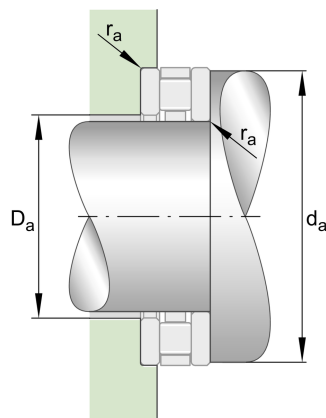
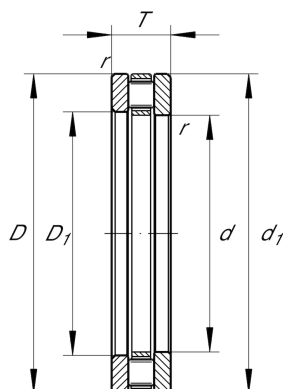
**81115-TV**

Axial cylindrical roller bearing

Schaeffler ID:
0015415010000Axial cylindrical roller bearings 811, single
direction, comprising K811, GS, WS

Technical information

**Main Dimensions & Performance Data**

d	75 mm	Bore diameter
D	100 mm	Outside diameter
T	19 mm	Height
C_a	107.000 N	Basic dynamic load rating, axial
C_{0a}	350.000 N	Basic static load rating, axial
C_{ua}	36.000 N	Fatigue load limit, axial
n_G	3.300 1/min	Limiting speed
n_{gr}	1.190 1/min	Reference speed
	0,003 kg	Weight

Additional information

	K81115-TV	Axial roller and cage assembly
D_1	77 mm	Bore diameter housing washer
	GS81115	Housing Washer
d_1	100 mm	Rip diameter shaft washer
	WS81115	Shaft washer
	LS75100	Track Washer
r_{min}	1 mm	Minimum chamfer dimension

Mounting dimensions

$d_{a min}$	97 mm	Minimum diameter shaft shoulder
$D_{a max}$	78 mm	Maximum diameter of housing shoulder
$r_{a max}$	1 mm	Maximum recess radius

Temperature range

T_{min}	120 °C	Operating temperature min.
T_{max}	-30 °C	Operating temperature max.