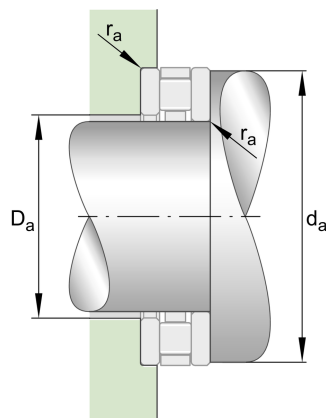
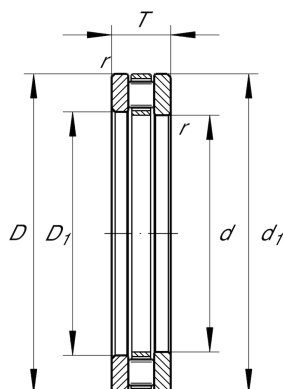
**81134-TV**

Axial cylindrical roller bearing

Schaeffler ID:
0095987740000Axial cylindrical roller bearings 811, single
direction, comprising K811, GS, WS

Technical information

**Main Dimensions & Performance Data**

d	170 mm	Bore diameter
D	215 mm	Outside diameter
T	34 mm	Height
C_a	360.000 N	Basic dynamic load rating, axial
C_{0a}	1.380.000 N	Basic static load rating, axial
C_{ua}	125.000 N	Fatigue load limit, axial
n_G	1.500 1/min	Limiting speed
n_{gr}	570 1/min	Reference speed
	2,607 kg	Weight

Additional information

	K81134-TV	Axial roller and cage assembly
D_1	172 mm	Bore diameter housing washer
	GS81134	Housing Washer
d_1	213 mm	Rip diameter shaft washer
	WS81134	Shaft washer
r_{min}	1,1 mm	Minimum chamfer dimension

Mounting dimensions

$d_{a min}$	209 mm	Minimum diameter shaft shoulder
$D_{a max}$	176 mm	Maximum diameter of housing shoulder
$r_{a max}$	1,1 mm	Maximum recess radius

Temperature range

T_{min}	120 °C	Operating temperature min.
T_{max}	-30 °C	Operating temperature max.