

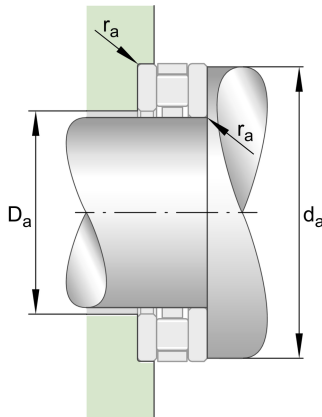
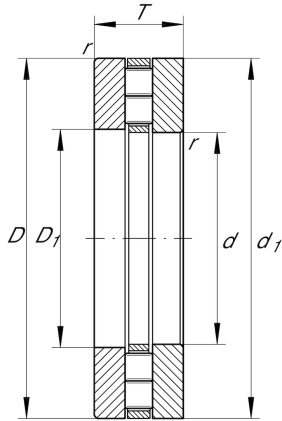
89312-TV

Axial cylindrical roller bearing

Schaeffler ID:
0003617470000

Axial cylindrical roller bearings 893, single direction, comprising K893, GS, WS

Technical information



Main Dimensions & Performance Data

d	60 mm	Bore diameter
D	110 mm	Outside diameter
T	30 mm	Height
C_a	197.000 N	Basic dynamic load rating, axial
C_{0a}	670.000 N	Basic static load rating, axial
C_{ua}	59.000 N	Fatigue load limit, axial
n_G	3.400 1/min	Limiting speed
n_{gr}	1.350 1/min	Reference speed
	0,013 kg	Weight

Dimensions

	K89312-TV	Axial roller and cage assembly
D_1	62 mm	Bore diameter housing washer
	GS89312	Housing Washer
d_1	110 mm	Rip diameter shaft washer
	WS89312	Shaft washer
B	30 mm	Width
r_{min}	1,1 mm	Minimum chamfer dimension
D_{c1}	60 mm	Cage bore diameter

Mounting dimensions

d_a	108 mm	Minimum diameter shaft shoulder
D_a	66 mm	Maximum diameter of housing shoulder
r_a	1,1 mm	Recess radius