

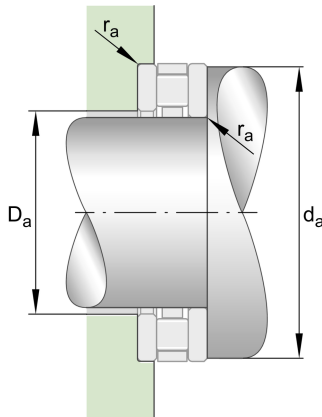
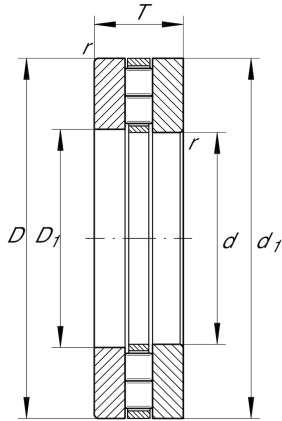
## 89315-TV

### Axial cylindrical roller bearing

Schaeffler ID:  
0003616660000

Axial cylindrical roller bearings 893, single direction, comprising K893, GS, WS

## Technical information



### Main Dimensions & Performance Data

d	75 mm	Bore diameter
D	135 mm	Outside diameter
T	36 mm	Height
$C_a$	285.000 N	Basic dynamic load rating, axial
$C_{0a}$	1.010.000 N	Basic static load rating, axial
$C_{ua}$	93.000 N	Fatigue load limit, axial
$n_G$	2.750 1/min	Limiting speed
$n_{gr}$	1.080 1/min	Reference speed
	2,223 kg	Weight

### Dimensions

	K89315-TV	Axial roller and cage assembly
$D_1$	77 mm	Bore diameter housing washer
	GS89315	Housing Washer
$d_1$	135 mm	Rip diameter shaft washer
	WS89315	Shaft washer
B	36 mm	Width
$r_{min}$	1,5 mm	Minimum chamfer dimension
$D_{c1}$	75 mm	Cage bore diameter

### Mounting dimensions

$d_a$	132 mm	Minimum diameter shaft shoulder
$D_a$	81 mm	Maximum diameter of housing shoulder
$r_a$	1,5 mm	Recess radius