

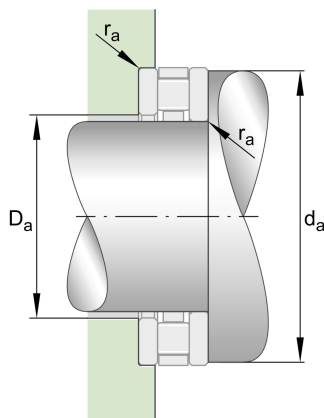
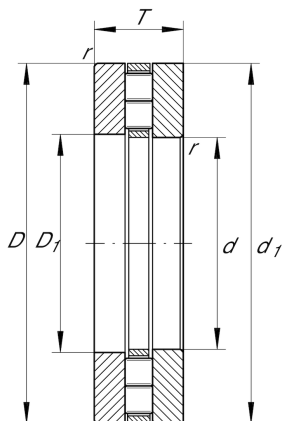
## 89316-TV

### Axial cylindrical roller bearing

Schaeffler ID:  
0003616400000

Axial cylindrical roller bearings 893, single direction, comprising K893, GS, WS

## Technical information



### Main Dimensions & Performance Data

d	80 mm	Bore diameter
D	140 mm	Outside diameter
T	36 mm	Height
$C_a$	305.000 N	Basic dynamic load rating, axial
$C_{0a}$	1.110.000 N	Basic static load rating, axial
$C_{ua}$	101.000 N	Fatigue load limit, axial
$n_G$	2.600 1/min	Limiting speed
$n_{gr}$	990 1/min	Reference speed
	2,356 kg	Weight

### Dimensions

	K89316-TV	Axial roller and cage assembly
$D_1$	82 mm	Bore diameter housing washer
	GS89316	Housing Washer
$d_1$	140 mm	Rip diameter shaft washer
	WS89316	Shaft washer
B	36 mm	Width
$r_{min}$	1,5 mm	Minimum chamfer dimension
$D_{c1}$	80 mm	Cage bore diameter

### Mounting dimensions

$d_a$	137 mm	Minimum diameter shaft shoulder
$D_a$	86 mm	Maximum diameter of housing shoulder
$r_a$	1,5 mm	Recess radius