

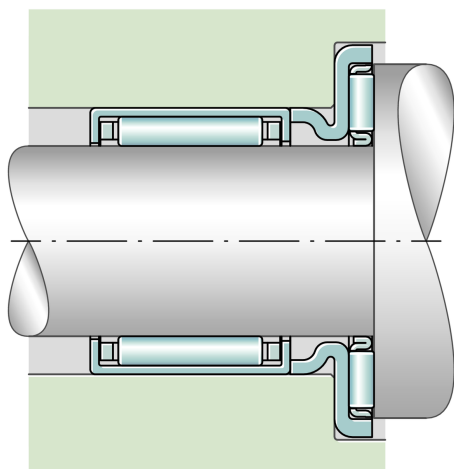
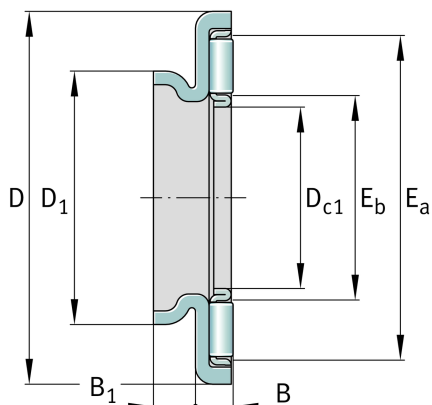
## AXW10

Axial needle roller bearing

Schaeffler ID:  
0001615780000

Axial needle roller bearings, single  
direction, AXK with axial bearing washer

### Technical information



### Main Dimensions & Performance Data

$D_{c1}$	10 mm	Bore diameter cage
$D$	27 mm	Outside diameter bearing washer
$B$	3,2 mm	Height bearing
$B_1$	3 mm	Height centering collar
$D_1$	14 mm	Outside diameter centering collar
$E_a$	23 mm	Raceway dimension
$E_b$	12 mm	Raceway dimension
$C$	9.200 N	Basic dynamic load rating, axial
$C_{0a}$	25.500 N	Basic static load rating, axial
$c_{ua}$	2.550 N	Fatigue load limit, axial
$n_G$	16.900 1/min	Limiting speed
$n_{gr}$	9.300 1/min	Reference speed
	8,68 g	Weight

### Additional information

AS1024	Axial bearing washer
HK1012	Drawn cup needle roller bearings
HK1015	Drawn cup needle roller bearings
HK1010	Drawn cup needle roller bearings for radial bearing arrangement
BK1010	Needle bush
BK1012	Needle bush
BK1015	Needle bush
NK7/10-TV	Needle roller bearings with out inner ring
NK7/12-TV	Needle roller bearings with out inner ring

