

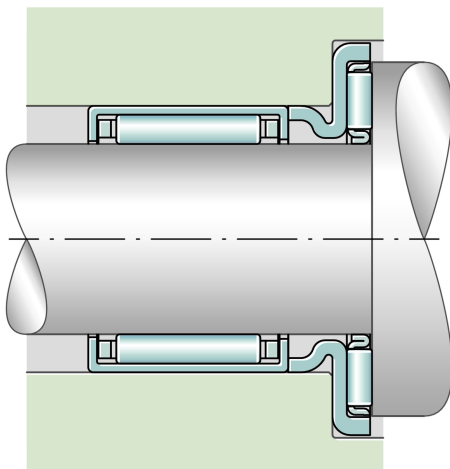
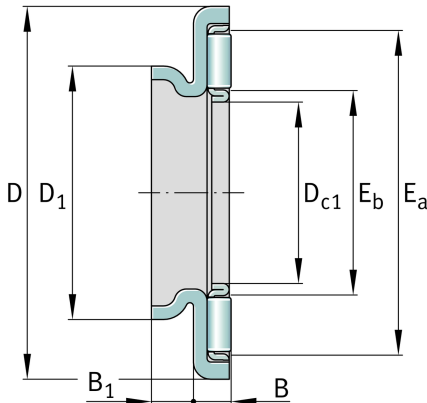
AXW45

Axial needle roller bearing

Schaeffler ID:
0001621320000

Axial needle roller bearings, single
direction, AXK with axial bearing washer

Technical information



Main Dimensions & Performance Data

D_{c1}	45 mm	Bore diameter cage
D	68 mm	Outside diameter bearing washer
B	4,2 mm	Height bearing
B_1	4 mm	Height centering collar
D_1	52 mm	Outside diameter centering collar
E_a	63 mm	Raceway dimension
E_b	50 mm	Raceway dimension
C	30.000 N	Basic dynamic load rating, axial
C_{0a}	128.000 N	Basic static load rating, axial
c_{ua}	13.600 N	Fatigue load limit, axial
n_G	5.200 1/min	Limiting speed
n_{gr}	2.490 1/min	Reference speed
	43,38 g	Weight

Additional information

AS4565	Axial bearing washer
HK4518-RS	Drawn cup needle roller bearings turned
HK4520	Drawn cup needle roller bearings
HK4516	Drawn cup needle roller bearings for radial bearing arrangement
BK4520	Needle bush
NKIS30	Needle roller bearings with inner ring
NA49/32	Needle roller bearings with inner ring
NA69/32-ZW	Needle roller bearings with inner ring
NK42/20	Needle roller bearings with out inner ring
NK42/30	Needle roller bearings with out inner ring
NKS37	Needle roller bearings with out inner ring
RNA49/32	Needle roller bearings with out inner ring
RNA69/32-ZW	Needle roller bearings with out inner ring

