

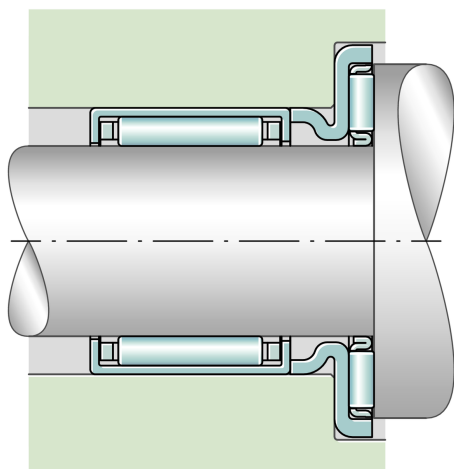
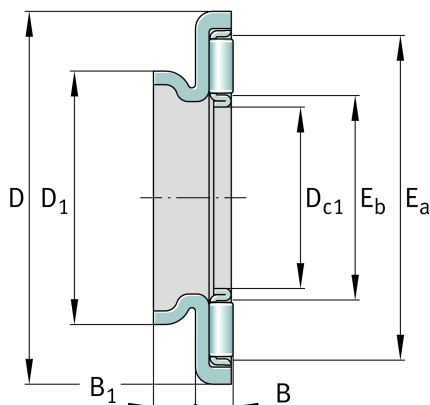
AXW50

Axial needle roller bearing

Schaeffler ID:
0001611010000

Axial needle roller bearings, single
direction, AXK with axial bearing washer

Technical information



Main Dimensions & Performance Data

D_{c1}	50 mm	Bore diameter cage
D	73 mm	Outside diameter bearing washer
B	4,2 mm	Height bearing
B_1	4,5 mm	Height centering collar
D_1	58 mm	Outside diameter centering collar
E_a	68 mm	Raceway dimension
E_b	55 mm	Raceway dimension
C	32.000 N	Basic dynamic load rating, axial
C_{0a}	143.000 N	Basic static load rating, axial
c_{ua}	15.100 N	Fatigue load limit, axial
n_G	4.800 1/min	Limiting speed
n_{gr}	2.230 1/min	Reference speed
	48,94 g	Weight

Additional information

AS5070	Axial bearing washer
HK5022-RS	Drawn cup needle roller bearings turned
HK5025	Drawn cup needle roller bearings
HK5020	Drawn cup needle roller bearings for radial bearing arrangement
NKIS35	Needle roller bearings with inner ring
NKS43	Needle roller bearings with out inner ring

