

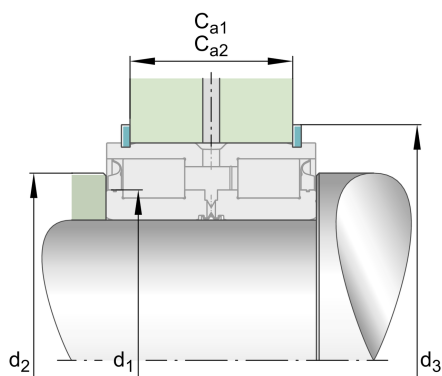
SL045036-D-PP

Cylindrical roller bearing

Schaeffler ID:
0892232680000

Cylindrical roller bearing SL04...-D-PP, full complement roller set, two-row, locating bearing, central rib on outer ring, 3 ribs on inner ring, type SL04

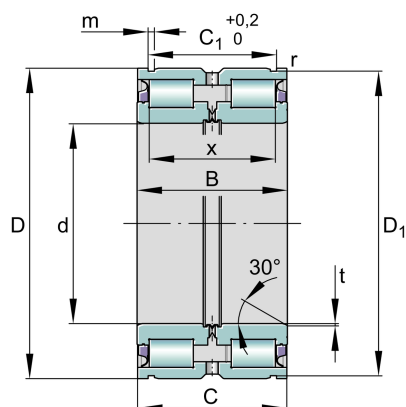
Technical information



Main Dimensions & Performance Data

d	180 mm	Bore diameter
D	280 mm	Outside diameter
B	136 mm	Width
C_r	1.140.000 N	Basic dynamic load rating, radial
C_{0r}	2.130.000 N	Basic static load rating, radial
C_{ur}	270.000 N	Fatigue load limit, radial
$n_{G \text{ Grease}}$	680 1/min	Limiting speed for grease lubrication
	29,22 kg	Weight

Dimensions



C	135 mm	Width, outer ring
C_1	118,2 mm	Distance ring grooves
D_1	274 mm	Diameter of groove
m	5,2 mm	Width of groove
r_{min}	0,6 mm	Minimum chamfer dimension
t	2 mm	Chamfer width
X	112 mm	Distance between rolling elements

Mounting dimensions

C_{a1}	110 mm	Mounting dim for snap ring WRE (not included in delivery) Tolerance: 0/-0,2
C_{a2}	108 mm	Mounting dim for retaining ring to DIN 471 (not incl. In delivery) Tol: 0/-0,2
d_1	218 mm	Rib diameter inner ring
d_2	239 mm	Sealing diameter (rib)
d_3	302 mm	Outside diameter of snap ring WRE
$d_{1\min}$	218 mm	Minimum diameter shaft shoulder
$r_{a\max}$	0,6 mm	Maximum recess radius
	30 °	Chamfer angle
	-0,2 mm	Lower distance snap ring tolerance
	-0,2 mm	Lower distance retaining ring tolerance
	0 mm	Upper distance snap ring tolerance
	0 mm	Upper distance retaining ring tolerance
	0 mm	Lower distance ring groove tolerance
	0,2 mm	Upper distance ring groove tolerance

Temperature range

T_{\min}	-30 °C	Operating temperature min.
T_{\max}	80 °C	Operating temperature max.