

FAG

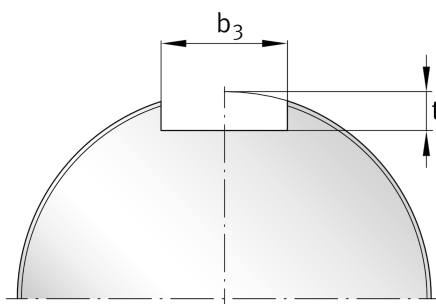
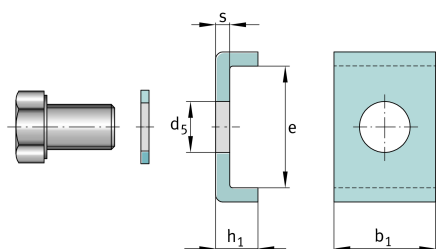
MS3164

Securing plate

Schaeffler ID:
0192157380000

Securing plate MS, locknut, DIN5406

Technical information

**Main Dimensions & Performance Data**

b_1	24 mm	Length retaining ring
e	31 mm	Width inner retaining ring
h_1	15 mm	Height retaining ring
	77 g	Weight

Dimensions

s	5 mm	Thickness
	M10x20	Hexagonal bolt
	51 Nm	Mounting torque screw
d_5	12 mm	Diameter fixing hole spacing

Mounting dimensions

b_3	26 mm	Width retaining slot
t	10 mm	Height retaining slot