



GE55-XL-KRR-B

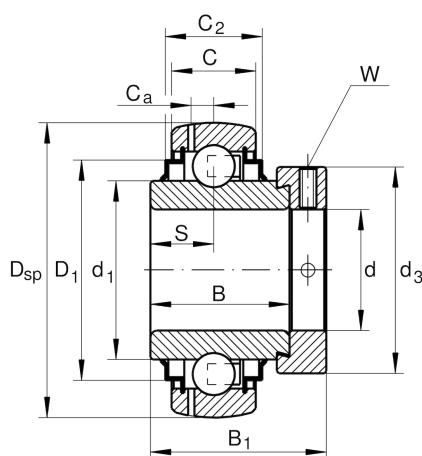
Radial insert ball bearing

Schaeffler ID:
0008049080000

Radial insert ball bearing GE..-XL-KRR-B

X-life

Technical information



Main Dimensions & Performance Data

d	55 mm	Bore diameter
D _{SP}	100 mm	Outside diameter
B	55,5 mm	Width
B ₁	71,4 mm	Locking collar total width
n _{G Grease}	8.000 1/min	Limiting speed for grease lubrication
C _r	46.000 N	Basic dynamic load rating, radial
C _{0r}	29.000 N	Basic static load rating, radial
C _{ur}	1.520 N	Fatigue load limit, radial
	1,37 kg	Weight

Dimensions

C	25 mm	Width, outer ring
C ₂	29 mm	Sealing total width
S	27,8 mm	Distance raceway
d ₁	69,8 mm	Rib diameter inner ring
D ₁	85,9 mm	Outside diameter seal
C _a	7 mm	Distance to lubrication hole
d ₃	76 mm	Outside diameter locking collar/locknut
W	5 mm	Width of flats

Calculation factors

f ₀	14,2	Calculation factor
----------------	------	--------------------