

RAE25-XL-NPP-FA106

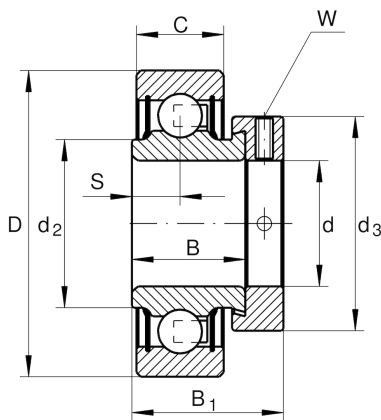
Radial insert ball bearing

Schaeffler ID:
0008430400000

Radial insert ball bearing RAE...-XL-NPP

X-life

Technical information



Main Dimensions & Performance Data

d	25 mm	Bore diameter
D	52 mm	Outside diameter
B	21,4 mm	Width
B ₁	31 mm	Locking collar total width
C _r	14.000 N	Basic dynamic load rating, radial
C _{0r}	7.800 N	Basic static load rating, radial
C _{ur}	410 N	Fatigue load limit, radial
	0,198 kg	Weight

Dimensions

C	15 mm	Width, outer ring
S	7,5 mm	Distance raceway
d ₂	30,5 mm	Rib diameter sealing inner ring
d ₃	37,5 mm	Outside diameter locking collar/locknut
W	3 mm	Width of flats

Calculation factors

f ₀	13,8	Calculation factor
----------------	------	--------------------