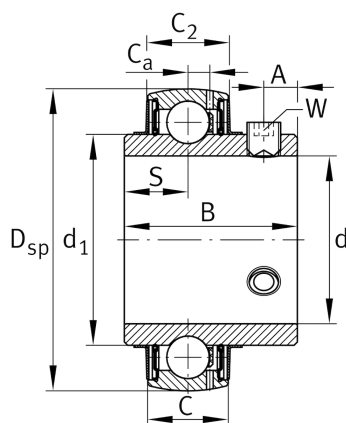


**FAG****UC203**

Radial insert ball bearing

Schaeffler ID:  
0767225380000Radial insert ball bearings UC, spherical  
outer ring, location by grub screws, RSR  
seals on both sides

## Technical information

**Main Dimensions & Performance Data**

d	17 mm	Bore diameter
D <sub>SP</sub>	47 mm	Outside diameter
B	31 mm	Width
n <sub>G Grease</sub>	18.700 1/min	Limiting speed for grease lubrication
C <sub>r</sub>	13.600 N	Basic dynamic load rating, radial
C <sub>0r</sub>	6.600 N	Basic static load rating, radial
C <sub>ur</sub>	345 N	Fatigue load limit, radial
	0,185 kg	Weight

**Dimensions**

C	17 mm	Width, outer ring
C <sub>2</sub>	16,8 mm	Sealing total width
S	12,7 mm	Distance raceway
d <sub>1</sub>	27,56 mm	Rib diameter inner ring
C <sub>a</sub>	4,2 mm	Distance to lubrication hole
A	5 mm	Distance thread
W	3 mm	Width of flats

**Calculation factors**

f <sub>0</sub>	13,1	Calculation factor
----------------	------	--------------------