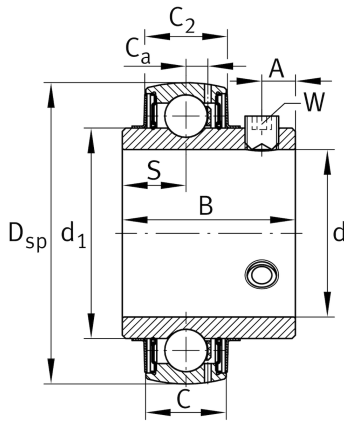


FAG**UC206**

Radial insert ball bearing

Schaeffler ID:
0693374970000Radial insert ball bearings UC, spherical
outer ring, location by grub screws, RSR
seals on both sides

Technical information

**Main Dimensions & Performance Data**

d	30 mm	Bore diameter
D _{SP}	62 mm	Outside diameter
B	38,1 mm	Width
n _{G Grease}	13.800 1/min	Limiting speed for grease lubrication
C _r	19.500 N	Basic dynamic load rating, radial
C _{0r}	11.300 N	Basic static load rating, radial
C _{ur}	480 N	Fatigue load limit, radial
	0,003 kg	Weight

Dimensions

C	19 mm	Width, outer ring
C ₂	19,6 mm	Sealing total width
S	15,9 mm	Distance raceway
d ₁	40,2 mm	Rib diameter inner ring
C _a	5 mm	Distance to lubrication hole
A	5 mm	Distance thread
W	3 mm	Width of flats

Calculation factors

f ₀	13,8	Calculation factor
----------------	------	--------------------