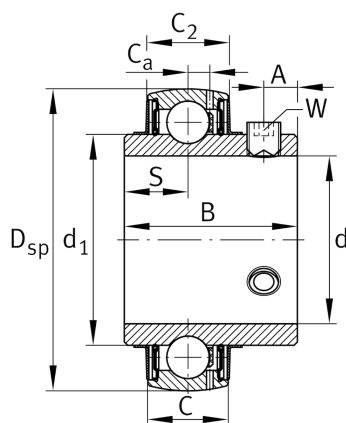


**FAG****UC209**

Radial insert ball bearing

Schaeffler ID:  
0693714150000Radial insert ball bearings UC, spherical  
outer ring, location by grub screws, RSR  
seals on both sides

## Technical information

**Main Dimensions & Performance Data**

d	45 mm	Bore diameter
D <sub>SP</sub>	85 mm	Outside diameter
B	49,2 mm	Width
n <sub>G Grease</sub>	9.600 1/min	Limiting speed for grease lubrication
C <sub>r</sub>	32.500 N	Basic dynamic load rating, radial
C <sub>0r</sub>	20.400 N	Basic static load rating, radial
C <sub>ur</sub>	870 N	Fatigue load limit, radial
	0,701 kg	Weight

**Dimensions**

C	22 mm	Width, outer ring
C <sub>2</sub>	22,6 mm	Sealing total width
S	19 mm	Distance raceway
d <sub>1</sub>	57,91 mm	Rib diameter inner ring
C <sub>a</sub>	6,3 mm	Distance to lubrication hole
A	8 mm	Distance thread
W	4 mm	Width of flats

**Calculation factors**

f <sub>0</sub>	14,1	Calculation factor
----------------	------	--------------------