



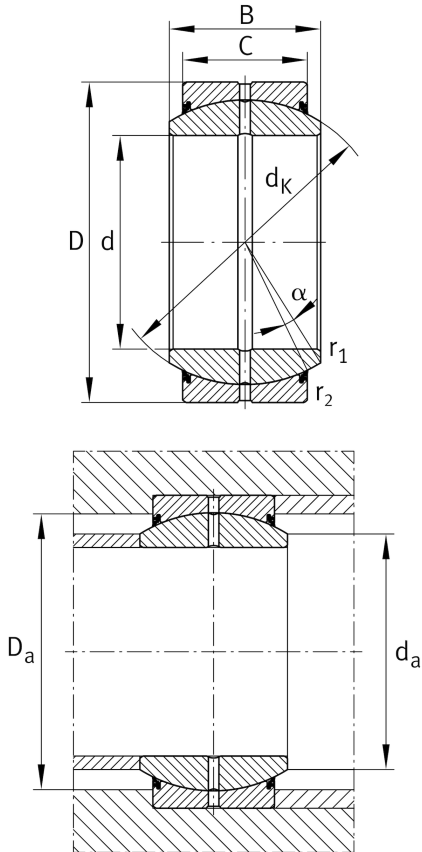
GE60-DO-2RS

Spherical plain bearing

Schaeffler ID:
0066482230000

Radial spherical plain bearing, requiring maintenance, sliding contact surface: steel/steel, DIN ISO 12240-1, dimension series E, sealed

Technical information



Main Dimensions & Performance Data

d	60 mm	Bore diameter bearing
D	90 mm	Outside diameter bearing
B	44 mm	Width Inner ring
C_r	245.000 N	Basic dynamic load rating, radial
C_{0r}	1.220.000 N	Basic static load rating, radial
	1 kg	Weight

Dimensions

C	36 mm	Width Outer ring
d_K	80 mm	Ball diameter
α	6 °	Tilt angle
r_{1smin}	1 mm	Edge Spacing
r_{2smin}	1 mm	Edge Spacing
d_{OT}	0 mm	Bore diameter bearing, upper tolerance
d_{UT}	-0,015 mm	Bore diameter bearing, lower tolerance
D_{OT}	0 mm	Outside diameter, upper tolerance
D_{UT}	-0,015 mm	Outside diameter, lower tolerance
B_{OT}	0 mm	Width inner ring, upper tolerance
G_r	0,06 - 0,12 mm	Radial Clearance
B_{UT}	-0,15 mm	Width inner ring, lower tolerance
C_{OT}	0 mm	Width outer ring, upper tolerance
C_{UT}	-0,4 mm	Width outer ring, lower tolerance

Mounting dimensions

$d_{a max}$	66,8 mm	Connection measure Inner ring
$D_{a min}$	75 mm	Housing Connection Diameter

Temperature range

T_{min}	-30 °C	Operating temperature min.
T_{max}	130 °C	Operating temperature max.