



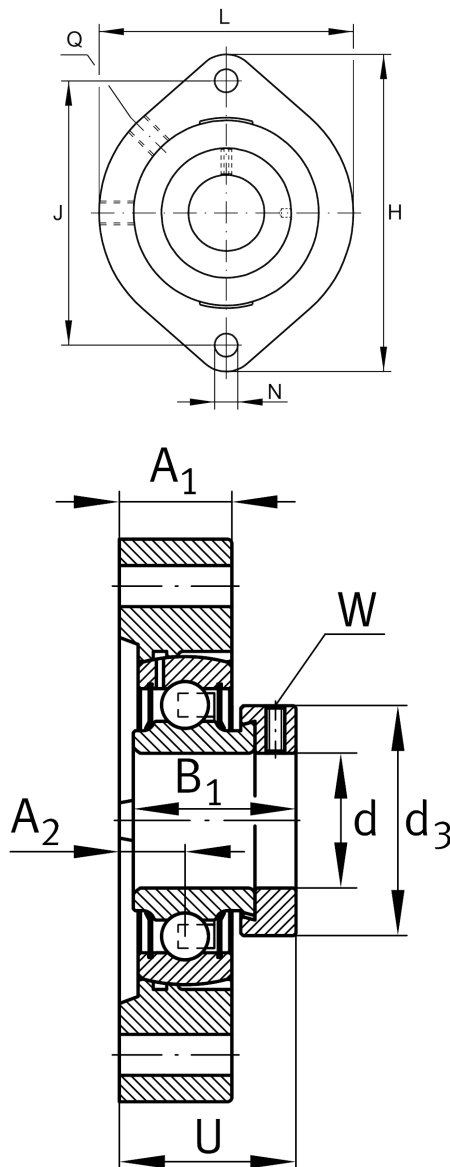
GLCTE25-TV-FA125.5

Flanged housing unit

Schaeffler ID:
0574653390000

Flanged housing unit GLCTE..-TV

Technical information



Main Dimensions & Performance Data

d	25 mm	Bore diameter
L	71 mm	Flange width
H	97 mm	Height flange
U	33,5 mm	Total height unit
C_r	14.900 N	Basic dynamic load rating, radial
C_{0r}	7.800 N	Basic static load rating, radial
C_{0rG}	9.400 N	Load carrying capacity (housing)
C_g	9.400 N	Load carrying capacity (housing)
	0,29 kg	Weight

Dimensions

	1	Number of housings
A_1	18,4 mm	Thickness of flange
A_2	10 mm	Distance raceway
	GEH.GLCTE05-TV	Housing
	GRAE25-NPP-B-FA107/125.5	Bearing designation
B_1	31 mm	Locking collar total width
	KASK05-S-G	Protecting cap
Q	1/4-28 UNF	Connection thread lubrication
d_3	37,5 mm	Outside diameter eccentric locking collar

Mounting dimensions

J	76,2 mm	Distance fixing bore
N	9 mm	Fixing bore
n	2	Number of screwing holes