



## GRA20-XL

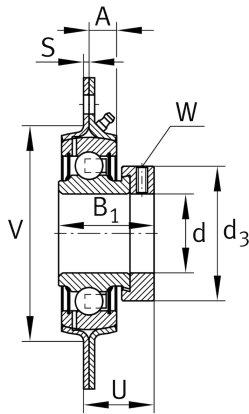
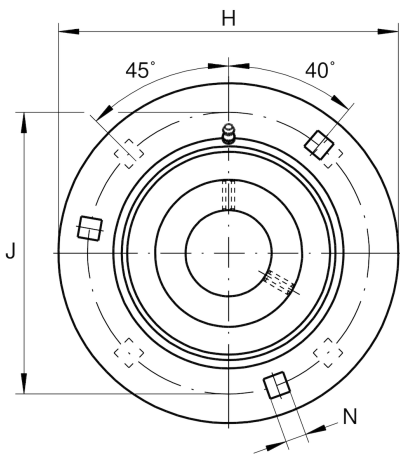
### Flanged housing unit

Schaeffler ID:  
0008896870000

Housing units GRA, three/four-bolt flanged housing units, sheet steel, eccentric locking collar, P seals

X-life

### Technical information



### Main Dimensions & Performance Data

d	20 mm	Bore diameter
H	90,5 mm	Height flange
H	90,5 mm	Flange width
U	25,5 mm	Total height unit
B <sub>1</sub>	31 mm	Locking collar total width
C <sub>ur</sub>	345 N	Fatigue load limit, radial
C <sub>r</sub>	13.600 N	Basic dynamic load rating, radial
C <sub>0r</sub>	6.600 N	Basic static load rating, radial
C <sub>0rG</sub>	3.200 N	Load carrying capacity (housing)
	0,32 kg	Weight

### Dimensions

A	8 mm	Height housing
	1	Number of housings
	1	Number of housings 2
	FLAN47-MSB	Housing
	FLAN47-MSA	Housing (Part 2)
	EXZ	Fixing
	GRAE20-XL-NPP-B	Bearing designation
S	2 mm	Thickness of flange
V	55 mm	Shoulder diameter housing
d <sub>3</sub>	37,5 mm	Outside diameter eccentric locking collar
d <sub>3</sub>	33 mm	Outside diameter locking collar/locknut

### Mounting dimensions

J	71,5 mm	Pitch circle diameter (holes)
N	8,7 mm	Fixing square
n	3	Number of screwing holes
n	4	Number of screws