



## GRA40-XL

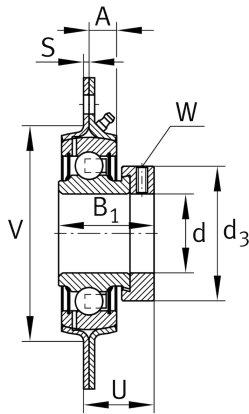
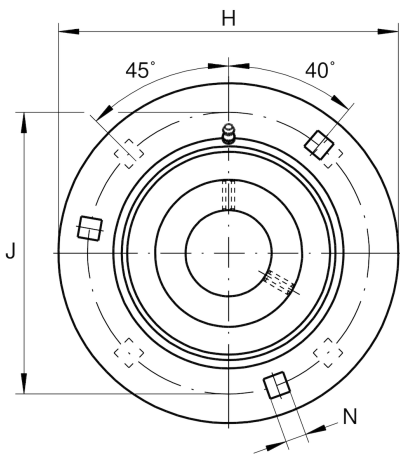
### Flanged housing unit

Schaeffler ID:  
0008294120000

Housing units GRA, three/four-bolt flanged housing units, sheet steel, eccentric locking collar, P seals

X-life

### Technical information



### Main Dimensions & Performance Data

d	40 mm	Bore diameter
H	147,5 mm	Height flange
H	147,5 mm	Flange width
U	36,2 mm	Total height unit
B <sub>1</sub>	43,8 mm	Locking collar total width
C <sub>ur</sub>	1.030 N	Fatigue load limit, radial
C <sub>r</sub>	34.500 N	Basic dynamic load rating, radial
C <sub>0r</sub>	19.800 N	Basic static load rating, radial
C <sub>0rG</sub>	7.700 N	Load carrying capacity (housing)
	1,31 kg	Weight

### Dimensions

A	10,3 mm	Height housing
	1	Number of housings
	1	Number of housings 2
	FLAN80-MSB	Housing
	FLAN80-MSA	Housing (Part 2)
	EXZ	Fixing
	GRAE40-XL-NPP-B	Bearing designation
S	3,5 mm	Thickness of flange
V	90 mm	Shoulder diameter housing
d <sub>3</sub>	37,5 mm	Outside diameter eccentric locking collar
d <sub>3</sub>	58 mm	Outside diameter locking collar/locknut

### Mounting dimensions

J	119 mm	Pitch circle diameter (holes)
N	13,5 mm	Fixing square
n	4	Number of screwing holes
n	4	Number of screws