



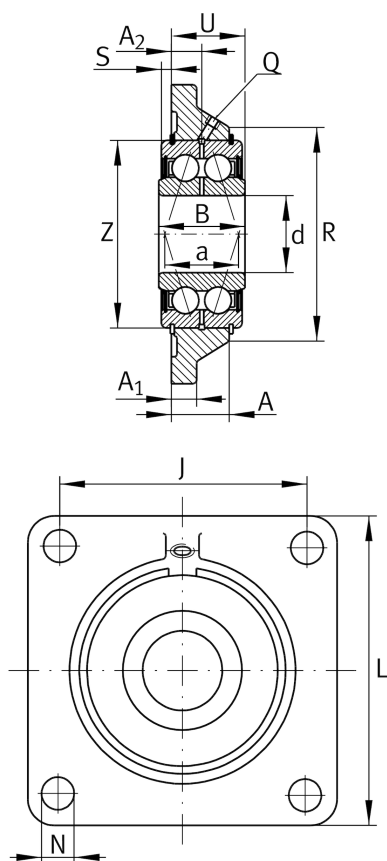
PCCJ35

Flanged housing unit

Schaeffler ID:
0008905370000

Housing units PCCJ, four-bolt flanged housing units, cast iron, double row angular contact ball bearing, P seals

Technical information



Main Dimensions & Performance Data

d	35 mm	Bore diameter
L	118 mm	Flange width
U	31,7 mm	Total height unit
C_r	39.500 N	Basic dynamic load rating, radial
C_{0r}	29.000 N	Basic static load rating, radial
C_{ur}	1.520 N	Fatigue load limit, radial
	1,48 kg	Weight

Dimensions

A	26 mm	Height housing
	1	Number of housings
A_1	14 mm	Thickness of flange
A_2	14 mm	Distance raceway
	CCJ07	Housing
	G5207-2RS-N	Bearing designation
B	36 mm	Width
Q	M6	Connection thread lubrication

Mounting dimensions

J	92 mm	Distance fixing bore
N	14 mm	Fixing bore
n	4	Number of screwing holes