



PCJ17-XL

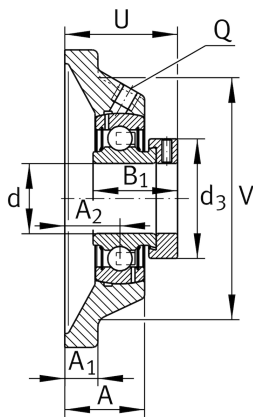
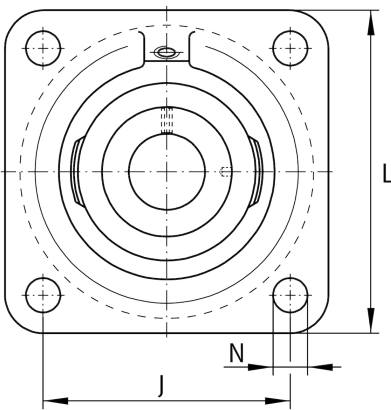
Flanged housing unit

Schaeffler ID:
0009481010000

Housing units PCJ, four-bolt flanged housing units, cast iron, eccentric locking collar, P seals

X-life

Technical information



Main Dimensions & Performance Data

d	17 mm	Bore diameter
L	76 mm	Flange width
U	39,1 mm	Total height unit
C_r	10.100 N	Basic dynamic load rating, radial
C_{0r}	4.750 N	Basic static load rating, radial
C_{ur}	248 N	Fatigue load limit, radial
	0,45 kg	Weight

Dimensions

A	27 mm	Height housing
	1	Number of housings
A_1	9,5 mm	Thickness of flange
A_2	17 mm	Distance raceway
	CJ03	Housing
	GRAE17-XL-NPP-B	Bearing designation
V	58 mm	Shoulder diameter housing
Q	M6	Connection thread lubrication
d_3	28,4 mm	Outside diameter eccentric locking collar

Mounting dimensions

J	54 mm	Distance fixing bore
N	11.5 mm	Fixing bore
n	4	Number of screwing holes